

The Journal of Borderland Research

THE JOURNAL OF BORDERLAND RESEARCH (ISSN 0897-0394) is a publication of Borderland Sciences Research Foundation, Inc., P.O. Box 429, Garberville, California 95440-0429 USA. Phone: (707) 986-7211. Contents are ©1990 by BSRF, Inc. The Journal is published six issues a year (bi-monthly) with the assistance of the BSRF Associates. The Journal is issued to members of BSRF.

EDITOR

Thomas Joseph Brown

CONTRIBUTING EDITORS

Alison Davidson

Peter Lindemann

Jorge Resines

THE JOURNAL OF BORDERLAND RESEARCH is a Free-Thought Scientific Forum examining Living Energies and probing the parameters of Body, Mind and Spirit. Donations of pertinent materials are accepted for publication in this Journal.

BORDERLAND SCIENCES RESEARCH FOUNDATION, Inc. is an organization (California non-profit) of people who take an active interest in observation of their Physical, Mental and Spiritual environment personally, globally, and universally. Subjects of inquiry on this Borderland between the Visible and Invisible Manifestations of Reality include: Archetypal Forms and Forces of Nature and the Use of the Imagination and Intuition to Perceive Them, Ether Physics and Etherial Forces, Light and Color, Radionics and Radiesthesia, Dowsing, Orgone Energy, Nikola Tesla & The True Wireless, Viktor Schauberger's Water Technology, Octaves of the Elements, Electricity & The Evolving Soul, Initiation Science, Hollow Earth Mysteries, Anomalies and Fortean Phenomena, Hypnosis, Photography of the Invisible, and Unidentified Flying Objects.

BORDERLAND SCIENCES RESEARCH FOUNDATION was founded by N. Meade Layne in February 1945 with the issuance of the first **ROUND ROBIN**, original title to **The Journal of Borderland Research**. The Foundation is a non-profit foundation incorporated under California law, May 21, 1951.

The Board of BSRF, Inc. is:

Thomas Joseph Brown, Director
Alison Davidson, Secretary-Treasurer
Peter A. Lindemann, Vice-President

BSRF Membership fees are:

\$25/year worldwide, Regular Membership
\$15/year, Senior Citizen & Student Membership
\$50/year, Supporting Membership
\$100/year, Sustaining Membership
\$1000, Lifetime Membership
Add \$20/year for Air Mail postage on the Journal

THE MAIN FUNCTION of BSRF is to act as an educational clearinghouse for information. Active research is being carried out and results are published in *The Journal of Borderland Research*. The majority of funding for BSRF come from the sales of research materials and membership fees.

ALL INFORMATION is presented for **Informational and Research purposes only**. Authors are solely responsible for the opinions they present. In no way are BSRF publications, books or equipment to be taken as medical advice or instrumentation. We fully support a person's natural right to research and investigate for themselves. We support the questioning of authority. BSRF functions on the Universal Principle of the Free Flow of Information and we stand on our U.S. Constitutional Rights of Freedom of Speech and Freedom of the Press!

THE JOURNAL OF BORDERLAND RESEARCH

Volume XLVI, No. 1
January-February 1990
TABLE OF CONTENTS

- * **THE ROUND ROBIN Vol. 1, No.1, Feb. 1945**
Meade Layne 1-4
 - * **COPPER – The Substance of Venus**
Alison Davidson 5-7
 - * **AHRIMANIC CONTROL IN THE 1990's**
Trevor James Constable 8-10
 - * **SECRETS OF THE SOIL**
by Peter Tompkins & Christopher Bird
Book Review by Tom Brown 11-13
 - * **SILICA IN AGRICULTURE**
Report on the 51st Bio-Dynamic Conference
Tom Brown 14-16
 - * **TAPPING THE ZERO-POINT ENERGY**
by Moray King
Book Review by A.W. Rice 16
 - * **MAN OR MATTER** by Ernst Lehms
Book Review by Gerry Vassilatos 17-18
 - * **Report on the VORTEXIAN MECHANICS & IMPLOSION WORKSHOP, November 1989**
Tom Brown 19
 - * **FIZIX KORNER**
Peter Lindemann 20-21
 - * **VIEW FROM THE BORDERLANDS**
Tom Brown 22-25
 - * **BSRF BULLETIN BOARD**
Letters, Reviews, Contacts 26-29
-

THE ROUND ROBIN

Vol. 1 February 1945 No. 1

A Bulletin of Contact and Information for Students of Psychic Research and Parapsychology

(This issue of The Journal of Borderland Research, Vol. XLVI, No. 1, marks the 45th anniversary of its continuous publication. The original title to the JBR was The Round Robin, which was edited by Meade Layne from 1945 to 1959. Riley Crabb changed the name to the present one in 1959 when he took over from Meade and edited it till 1985. We are here reproducing in full, the original issue to show the polarity between the past and the present. Tom Brown, editor)

An Explanatory Note To Those Interested

This is the first — and, for all we know, may be the last — issue of this Bulletin. Whether the idea is feasible and worthwhile depends on the reception you give it, and the interest you may take in it in the future.

The idea is a simple one. There are a considerable number of educated and intelligent people who are not only interested in various problems of psychic research and parapsychology, but who carry on, to a varying degree, with experimental work of their own. And there are others who would like to do so, if they were in touch with persons of similar interest, and had some means of acquiring and giving out information. Our own private correspondence shows that there is a real need for some kind of clearing house for facts and ideas. There should also be some means whereby those who wish to, could learn the names and addresses of other investigators, and perhaps correspond with them to mutual advantage. But there is no need to elaborate the idea further, for those to whom this is being sent.

This first issue, which is experimental and tentative, goes to only some 15-20 people, and it is mimeographed because printing is much too expensive under present conditions. To get it to you costs between 20 and 25 cents. You are not being asked to pay for it. But we do want to know your ideas about it, and how much, if anything, you would care to pay for future issues. There are many ways, we think, in which it could be built up into something useful and interesting. We want to print short articles, data, items of various kinds supplied by our "members," and addresses and references and other helpful material. And perhaps a few notes, each time, of the Fortean variety. Nobody expects to make any money out of the Bulletin, but we shall have to have some help on the expense if we go ahead with the idea. Let us know what

you think — and give us one or two names, of people of the "right sort" to whom we could send copies.

As an illustration of the kind of service we have in mind, take the matter of the "vitality globules," or spiritons, to which most of these pages are devoted. Dr. Haley, resident of the California Society for Psychical Research, has been studying them at intervals for years. Mr. William G. Randall, an attorney of Pasadena and Los Angeles, has recently made some valuable observations. Mr. E.C. Krieger, an Ordinance Engineer in Indiana, is actively interested, and had asked friends in the South Pacific to make observations. Mrs. Helen Totreck, in Massachusetts, takes an active interest in this and similar problems. Tesla worked at it a bit, but didn't get very far. What the ASPR and the Duke University psychologists have to say, we shall detail when and if they reply to our letters. Maybe the Fortean Society has some useful information. The only worthwhile theory we know about is that of Dr. Haley; and it ought to be better known and reinforced by other investigation. Somebody ought to find how to photograph these entities; we're trying to do it here, but no luck so far. Well, a few of these people are in contact by correspondence, but there's no real cooperation, and the few available facts are scattered about and hard to find. And the phenomenon is important enough, in its implication, to merit continued study.

What we suggest is, that people now interested in this and similar subjects, allow us to print their names and addresses in the Bulletin, and/or send us any pertinent data, or suggestions and ideas, or inquiries somebody else on the list may be able to answer. (For instance, somebody tell us how to photograph the spiritons). Whatever you send in will have to be brief and compact, because this is a bulletin for information and contact; but the point is, you can often find out where to make inquiry, and who

else is working on the same problem.

Another problem, which should interest medical men and physicists is that of "Vitic" or "carbon force". The present writer said something about it in the Fortean not long ago, and many letters of inquiry came in. Now, it may be there is somebody, somewhere, who knows all about carbon force, but we don't, and we would like to, and so would a good many other people we know. Our main idea is, to make such information accessible.

Having gotten this off our mind, let us turn to the matter of the vitality globules, or spiritons. First of all, how do you see them and what do they look like? If you look toward a patch of blue sky, and have the sun behind you, and then focus your gaze in the air about 5-10 feet ahead in front of you, you will probably see a great number of translucent or whitish specks, all in rapid darting motion. Their paths are short, and each one flashes in and out of vision, nearly everyone can see them, quite easily.

It is necessary to say at once, that these are NOT muscae volitantes, NOT the translucent disks, rods, straws, specks or other small appearances familiar to most people, and which are said to be caused by foreign matter in the eye, or on it. All of these move with the eyeball or eyelid, but the globules do not. They appear to be, and almost certainly are, "objective" entities, paroptic, or "exentoptic." This writer came across a reference to them, years ago, in some Theosophical writer (Leadbeater?). They were described by the term used here, and were said to be atoms or units of "vital solar energy, derived from the sun, and the source of all life phenomena". All of this, from Oriental wisdom.

It is worth noting, also, that the Qabalists have their Aschim, or Souls of Fire, or Fiery Lives. They are rated as an Angelic Order, that is, as living and intelligent entities, and belong to the Sephirah of Malkuth

(the earth-plane) on the Tree of Life.

These Theosophical and Qabalistic concepts are necessarily incompatible with views now developing in P.R. circles; that is, that the globules may be vital or energetic units. Note Dr. Haley's views, described further on.

It is reported that Nicola Tesla studied the globules at one time, and thought they were "ionized particles." Perhaps — but particles of what? The objection which seems to us insuperable is expressed by Dr. Haley. An ionized particle is just as material as a dust speck (especially if big enough so you can see it), hence should be affected by strong winds, air currents, jets, fans and the like. But no you can't blow a globule, at least by all present reports. They would, of course, permeate any wind or air jet, but if they were "material" particles, in ordinary use of that word, it's incredible that their motion and distribution should not be affected at all.

Can they be seen under any other conditions than those mentioned? Well, yes; against a white porcelain wall or large surface, indoors if the light is "right." Also (says Dr. Haley) you can see them by looking at a ground glass screen placed in front of a mercury vapor lamp. They are then, he says, more numerous than when seen against the sky.

The Theosophical writer referred to said they were much less numerous at night. This (says Mr. Randall) is important, if true. Someone with an Hg lamp should check on this, by day and at night — and pass on the results to the Round Robin.

Some persons see the globules as faintly brown or yellow. Mr. Randall notes luminous trails (this, just before sunset, and while standing in the shadow of a steep ridge, with air and sky above still sunlit). Is this luminous trail an after-image? Is it common to see them as colored? How many people see them as momentarily black?

Mr. Keith Hayes, San Diego physicist, is trying to photograph them. One would suppose anything visible, refracting or diffusing light, could be netted by some of the modern photo-techniques. And if anybody has doubts about their "objectivity," the photographing ought to settle that. These globules, however, are much more than a mere optical curiosity. Consider briefly what Dr. Haley has to say.

DR. PHILIP HALEY

As noted before, Dr. Haley is President of a group known as the California Society

for Psychical Research. He is in active practice in San Francisco and has been engaged in psychical research for many years. The personnel of his group has changed many times, but most of them have been professional men of excellent standing, several from university faculties. No one, so far as we know, has ever questioned the character of these investigators or their competence as observers. About 1925 Dr. Haley wrote a book, printed about 100 copies, now out of print and probably unobtainable. Most of it is concerned with idioplasmic reproduction, creation, apportation of food stuffs. Put six pieces of apple into a jar and take out eight, and so on. It's one of the most astonishing records in modern P.R. work, well documented, with good photographs, and this casual mention is an injustice. But, part of this book is concerned with vitality globules, and Dr. Haley has also put out some mimeographed material about them.

Dr. Haley calls the globules, SPIRITON, thinks they are living, or vital in nature, perhaps residual life atoms or "soul-seeds;" and he believes that they produce, or become, or are intimately related to the so-called entoptic lights (really paroptic), which are known to behave in an intelligent manner, to give signals and warnings. These lights in turn (Dr. Haley thinks) may be dynamized by the human aura, and under seance conditions are often seen to contain, or to become human faces (a phenomenon attested by many observers). This is an elementary phase of materialization, and the spiriton, or globule, is somehow connected with it. When the spiriton appears as a light, it is called a spiroculon.

This is a very inadequate synopsis; doesn't do even half-justice to Dr. Haley's years of thought and experiment. But it gives the drift of the theory, and helps explain why vitality globules seem worth studying. And no one is entitled to any off-hand, casual opinion on Dr. Haley's meticulous work.

"What I have hoped for," he writes "is that some investigators will experimentally establish a connection between the non-auric and the auric phase of the spiriton. This would, when the demonstration of the objective phase of the spiriton was made, complete the proof; for we already have ample photographic evidence of the reality of both the spirit light and the ectoplasmic emanation" (or aura).

Maybe somebody, somewhere, scien-

tist or layman, knows just what the globules are, or has additional facts about them. If so we hope this Round Robin will find him out, induce him to let his light shine forth onto the rest of us.

Re- the effect of the aura on the globules — if any, Somebody ought to experiment with the Kilner screens. One can see the aura with them, all right; maybe the globules would be visible too. Or, with some other kind of screen.

If anybody reading this has Kilner's book, and will extract from it the directions for making the screens (cells), including the proportions of dicyanin and alcohol (if that's the solvent), and will send it to the R.R., we'll be grateful and pass it on to other people. Mr. F.C. Krieger wants it, particularly.

Also, if anybody has Brian Brown's book, *Dynamic Power of the Inner Mind* (Doubleday, Page & Co. 1924) and will lend it or sell it, address Mr. Krieger. Anybody who knows anything about VITIC or Carbon Force, please write Mr. Krieger, and/or this editor.

Anybody who has any ideas about how to photograph vitality globules, please write Mr. Hayes, and/or this editor.

Mr. Randall, looking for the globules, has noted some very extraordinary appearances; also has made a useful classification of antoptic perception. Maybe he will let us have a condensed report for this bulletin.

Our idea is NOT to write all of this bulletin ourselves, which God forbid! We want items, suggestions, ideas, questions, experiences from individual investigators, in psychics, parapsychology, ESP in all its phases.

A maybe-related subject, to much of what has been set down in this bulletin, is the "paroptic vision" of Jules Romains (Louis Farigoule). About 1919 he finished a book called *EYELESS SIGHT*, put into English and printed by Putnam, 1924. Paroptic vision, as Romains used the word, is visual perception of external objects, without using the eyes — extra-rational; the organs for this are epidermal ocelli. Boirac worked on this, previously. The facts are very remarkable, not too hard to verify, caused quite a furor at the time. It seemed to be, we still think it was, the most promising development of modern science for the relief of the blind. And then, there are innumerable questions, for the psychic research student, in the functioning of the ocelli, or modified skin cells; some kinds of "psychism" and clairvoyance may involve

them. Of course, to the pseudo-scientific orthodoxy of the '20s, and of today, for that matter, all these astonishing facts and methods were taboo; a *bas* and *Ah Bah* with them!

One would think that psychologists, physiologists, medical men generally, would follow up such leads, a little way anyhow. Has anyone followed up with Romains' work? If so, we have never heard of it, but maybe that's our ignorance... This faculty of seeing without eyes ought to interest P.R. men who have to do with dark-seance work — especially since the power is enhanced by slight hypnosis... The whole knots.... On the practical side, and of supreme human interest, is the chance of some degree of vision for the blind... Is there a single psychological laboratory in this country, or anywhere, that has tried to work out Romains' premises in a practical way? Or is it one more of those things that "science" is not yet ready for?

If any reader of this bulletin knows somebody who has heard of somebody who has read of somebody who has done anything at all along the line of Romains' work, in the last 25 years, please pass us the information.

Note: about the pamphlet, "Letter to a Soldier". Mr. Thomas Sugrue, (There Was a River), now in charge of publications and other activities for the Cayce Foundation (Association for Research and Enlightenment), did the present writer the honor of reproducing this "Letter" or part of it, and this brought in a number of inquiries. No more copies available just now, but perhaps we can have a few more mimeographed.

This bulletin goes to a few people who are interested (very deeply) in "practical" occultism, Yoga and Qabalistic techniques, and similar studies. We hope they have not, or will not, overlook **PATHWAYS THROUGH TO SPACE**, by Franklin Merrell-Wolfe (pub Rich. R. Smith, New York City, 1944). Mrs. Helen Lotreck, Northampton, Mass., called our attention to it. It's described on the jacket as *A Personal Record of Transformation in Consciousness*; author is said to be a mathematician and scientist. One important thesis is, that Recognition (Illumination, higher consciousness) can be attained via the intellectual disciplines of the West, especially thru the theoretical and speculative concepts of modern science... This makes astonishingly good Qabalism, by the way, though the author makes no mention of that Path. It's a contribution to Western

Yoga, at any rate, and seems to us very valuable.

Half-column article in *TIME* 2/5/45, *Spectral Appendectomy* (in Brazil). Forty witnesses, including policemen, newsmen, three doctors "Pitch-dark seance chamber." One Dr. Gomez, mortuit 1925, materialized performs an appendectomy. No anesthetic, but patient feels nothing. After 2 hours, appendix appears in bottle of alcohol, has disappeared from the patient, by X-ray photo. Rejoicing among spiritualists, but Catholic press and pulpit outraged, particularly one Mon. Azevdo, who says he can prove one of the doctors did it "under cover of darkness." What we don't understand is (on basis of meager facts) how a surgeon could remove an appendix in complete darkness. Explanation sounds more incredible than the alleged facts, as is not infrequently the case. We're inclined to be credulous anyhow, because we know of a case where a spirit or somebody extracted an ulcerated tooth from a sufferer, put it in a water glass on the table for all to see.

If anybody who reads this has lived in Pindamonhargaba (!!) We would like to find out how or why 70% of the population are spiritualists. And how about getting Dr. Luiz Gomez de Amaral to do a few appendectomies in the U.S. — by invitation of the American Medical Association, of course?

The Journal of the American Society for Psychical Research (ASPR) for January '45, has a 34 page Outline of Survival Evidence, by Gardner Murphy. 'In this outline no attempt has been made to "prove" survival nor even to cite all the more convincing types of cases, but to present in organized form the classes of evidence gathered by psychical research, with typical examples of each.' (p. 34) The Journal is published Quarterly, \$1.50 per copy.

Scientific Monthly of August 1944 has an article by Dr. A. J. Carlson, President of the American Assoc. for the Advancement of Science. He says that the alleged objective evidence of the belief in survival is entirely mythological!!!!

Bernard Ackerman Inc., N. Y. publishes a compilation by A. T. Baird of Glasgow, called *One Hundred Cases of Survival After Death*. It's a good job of editing and very useful, especially to the newcomer to psychic research.. But according to Dr. Carlson (sup) it's presumably no more than another collection of myths.

Journal of Parapsychology (Duke Univ. Press, Durham, N.C.) carries on with

PK studies, and there's a curious article on telepathic skin writing, by David Efron. And that reminds us, in some printed matter put out by the Church of Light (Los Angeles) there's a statement, that the spread of cards thrown by machine was predicted some 12 days in advance, in experimental work at Duke. If anyone has the first hand account of this, as issued by the laboratory, we would like to see it. (Cost of the Journal is now \$4.00, issued quarterly).

We have been trying for a long time to find out just who YRAM was. We know he was a French occultist, wrote *Le Medecin de L'Ame*, English version issued by David McKay, Phila., still obtainable from Psychic Observer book list, and elsewhere. And we know he has been dead 10 years or more. Beyond that, nothing. Inquired of the London publisher but no results. The English version is called *Practical Astral Projection*; we think it's a valuable and important book though we never heard anyone else say so. But if anyone knows who YRAM was, or where we can find out, please pass it on to us.

Does anyone have a copy of another book, by this same YRAM? Will you lend it or sell it?

Formerly, Kilner screens (dicyanin cells for observing the aura) could be bought made up. Does anyone know where they can be had now?

A FEW DEFINITIONS — SCIENCE

Huxley defined science as trained and organized commonsense.....

Kirchhoff and Mach describe science as "a complete and consistent description of the facts of experience in the simplest possible terms."

"There is no science but that of the general," says Poincare; and "all facts are scientific when used scientifically."

According to Malisoff, science is characterized by technique of observation and by elimination of the personal equation. Also, "facts which cannot be questioned are almost mythical." (And this last, we think, should be written above the doors of every laboratory.)

The aim of all exact science, says Mertz, is "a complete and simple description admitting of calculation."

"Science is conceptual shorthand" writes Pearson. Along with Poynting and many others, he remarks that a "law of Nature" explains nothing, governs nothing, is not a force or an energy, but is simply a descriptive formula — telling How, not Why.

RELIGION

Religion, says Whitehead, is what an individual does with his solitariness. And again "It is the Art and theory of the internal life of men."

According to Tolstoy, religion is the relationship which man acknowledges to the universe, or to its Source or First Cause. "A reasoning man must therefore be in some sort of perceptive relation to it."

Carlyle declares that "the thing a man does practically believe, and lay to heart and know for certain concerning his vital relation to the universe, is his religion."

Ladd defines the minimum concept of religion as the belief in an invisible superhuman Power or Powers, conceived after the analogy of the human spirit, on which man regards himself as dependent for well-being, and which he is in some sense responsible to — together with all the feelings and practices arising from such belief.

"Any real religion," says Hoffding, "implies and must give a world view."

Evelyn Underhill writes that the primal object of religion is to disclose to us the perdurable basis of life, and foster our growth and communion with it.

Linguists tell us, there was no synonym for the word RELIGION among the Hindus, the Hebrews and the Greeks, nor among the Celts and Germans. To the Romans, religion meant a social institution and certain traditional rites. In the Orient, religion was conceived as a science, that is, as an organized body of knowledge, and not at all as personal emotionalism.

To all of which we add 4 lines from James Stephens. "Instinct cannot advance when thought has schooled it in the science of unbelief, and the wall (about the Tree of Life) will not be conquered until thought and instinct are wed; and the first son of that bridal will be called The Scaler of the Wall."

We want to say a word for the Fortean Magazine, now called DOUBT, and for the Fortean Society and its able secretary Mr. Tiffany Thayer. The Society, of course, carries on the work of Charles Fort and his

collaborators (he wrote the Book of the Damned, New Lands, Lol Wild Talents). It is committed to no cult or propaganda, is the implacable enemy of the smugness and complacency of official and "orthodox" science.

By this last we mean the pronouncements (very often) of scientific bodies, learned societies and publications, university departments, their bland ignoring of a thousand strange happenings not explainable in terms of current theories - and of their own stupidities and failures.

These are the "damned facts" of which Charles Fort wrote, scattering tares in the snug fields of science with a kind of wild contemptuous joy, but yet verifying and documenting with a careful hand.

Those of us who are interested in psychical research and its allied subjects, also have a long reckoning with the "scientific" ignorance and intolerance. Of course, there are now many hundreds of workers in the sciences, some of them very distinguished, who are well informed and open-minded on these matters, but as for "official" science — well, the remark of Dr. Carlson, quoted on page 6 of this bulletin, is sufficient commentary.

As to the Fortean, then, we think it is doing an admirable piece of work. We're not so much interested, personally, in its social and political iconoclasm, though others may find it worth while. But the effort to salvage the "damned" facts, hold them up for all to see and for the confusion of all orthodoxies, is a matter of very great importance.

And once again, as to the in-and-out of the Round Robin; it's the facts we're after. We believe every fact is a child of God. We don't care where it was born, or who nourished and cherished it; but we're interested in your reasons for accepting it, and for thinking it maybe means this-or-that. We quote Gregory, that "in science there is no finality, there should therefore be no dogmatism" - and also Strindberg, who wrote that the whole business of man is "not to turn his back upon the Light." This Light may be a poor thing, but our business is to

make the best of it, try to feed and brighten it, to make it shine into dark corners.

We have a few copies of the last issue of the Fortean magazine DOUBT. Does anyone want one of them, gratis? Or address the Fortean Society, New York City. Single copies 25 cents or \$2.00 a year for DOUBT membership.

A Note for the Last Page
To my Personal Friends:

Nearly all of the persons to whom this Round Robin is being sent, are my friends, by correspondence at least, if not by personal contact. So I can add a note to most of these bulletins, here on the last page, where you can tear it off if you want to pass the rest of the pages along.

I don't think any of you will believe I am trying exploit our acquaintance for profit. It takes a good deal of time, as well as some money, to get out even so small a bulletin as this. And if you think the whole idea isn't worth bothering with, we can just forget it. On the other hand, as I have said before, it might be the nucleus of a really useful project.

If you want to send in anything — items, questions, references, data, experiences, ideas, suggestions about the make-up of the Bulletin, odd clips of "Fortean" happenings — and if you will pass the Bulletin along, and/or send in a name or two of persons of the "right" sort, to whom I could send copies, then it may be worth while to carry on. And if you do write to me, be sure to give your permission (if willing) to print your name and address. You might pick up some helpful and interesting correspondents that way, and no advertisers will get hold of it.

For the present, if you want to write to anyone named in this issue, please send the letter in my care.

My notion has been, to put out the Round Robin about once a month. And the actual cost to me (paper, mimeographing, envelopes, postage) comes to about 25 cents each copy.

And now, my best wishes to all of you.
N. Meade Layne — San Diego, Calif.





COPPER

THE SUBSTANCE OF VENUS

by Alison Davidson



*"The breath of the west wind bore her
Over the sounding sea,
Up from the delicate foam,
To wave-ringed Cyprus, her isle."*

...sings Homer to celebrate the birth of Aphrodite, the goddess of love and beauty. Also known as Ishtar, Astarte and Venus, she was born from the blue-green waves of the Mediterranean clad only in her red-gold hair; her gentle beauty captured exquisitely by the Italian painter Botticelli.

Who has never been touched by the beauty of Venus, watching her rise brilliant as the Morning or Evening Star -- turning golden-red as she sets, sinking back into the ocean of her birth? "Beauty of Life" she is called, the essence of women reflected in the shining warmth of the metal copper.

The island of Cyprus is regarded as the home of both Venus and copper where it has been extensively mined since antiquity. The word copper is derived from the Latin 'cuprum' from cyprus, which in turn is said to originate in the Assyrian word for copper, 'kipar'. Although copper is soft and malleable, when blended with tin it forms the harder metal bronze.

After gold and silver, copper is the oldest metal known. Copper vessels have been found in Egypt dating back 4900 B.C. and earlier elsewhere. For hundreds of years copper was the main metal used; ancient races such as the Sumerians and Phoenicians made their weapons, helmets and shields of copper. From 3100 B.C. both copper and bronze were in use until the Bronze Age took over around 2100 B.C., preceding the more martial age of iron.

Copper's veins run extensively through the planet, particularly in the 'alkaline' depths where it has a great affinity for sulphur; Wilhelm Pelikan describes copper and sulphur as "locked together in the earth in primaeval times." (1) It is often found where there is volcanic activity, at present the most lucrative copper deposits being found in North and Central and South America, the Soviet Union, Central and South Africa and Australia, with smaller deposits throughout Europe.

Perhaps the oldest & most puzzling copper mines are located here in America, in the Keweenaw Peninsula and on Isle Royale in Lake Superior. In his book *AMERICAN INDIAN MYTHS & MYSTERIES*, Vincent Gaddis explores the mystery of these prehistoric mines which date back to at least 5000 B.C. The extent of this vast mining empire is incredible; there are thousands upon thousands of pits ranging for 120 miles, and it is estimated that 2 million pounds of copper were mined on Isle Royale alone.

As Vince asks, "Who were these archaic miners? How and to where did they transport this metal?"

ALCHEMY'S "COPPER CAULDRON"

"Truly science drives out the spirit from the whole and proudly displays the separate bits. Dead, all dead." Walter Lang

In this series of articles dealing with the Planets and Metals we are seeking in a small way to restore the spirit to the dead world of modern science. For this reason we return to the ancient and sacred science of Alchemy described as 'a total science of energy transformation' - dealing not only with the transmutation of metals as physical substance (the alchemists really could change lead into gold), but also as symbolic of the inner processes of spiritual transformation.

In alchemical terms we could describe the dead-world view of modern science as the 'black phase' of the alchemical operation, the phase of corruption and decay. Here the divine spark, or the spirit represented by the Sun appears to die, suffocated in the dark chaotic realm of Saturn-lead.

Even the physical substance of gold appears to be affected. After the early 1950's, Lilly Kolisko found in her experiments that the gold chloride solutions continually failed to crystalize into their previous colourful forms. It was as though the sun was eclipsed, somehow sickened, and gold, the sun's element on earth reflected this. This darkening of the sun-gold coincided with the onslaught of atmospheric nuclear testing and greatly increased radio-frequency use.

Alchemists say that putrefaction precedes germination, that "the King Gold must be killed and buried, in order that he may awake again to life, and who, ascending through the seven regimes, attains his full glory." (3)

These seven regimes are the seven levels of consciousness represented by the Sun, Moon and the five planets visible to the naked eye. Each of these cosmic forces corresponds to a particular metal, and in our investigations we find that the properties of these metals are intimately connected with our own nature.

Alchemically the Sun and Moon (gold and silver) express the duality of the active and receptive poles of existence -- described in the first two articles of this series. In the other five planets and their corresponding metals, either solar or lunar qualities predominate, but without reaching their full expression.

This is demonstrated in the planetary symbols which are formed from the three basic figures of the circle (sun), the semicircle (moon), and the cross of the four elements: fire, water, air and earth: the four directions of space.

In the symbol for Venus (and copper) the Sun-circle is rising above the cross, showing an infusion of solar power which, in the alchemical operation, corresponds to the inner sun rising but not yet perfected. In Venus the spirit is inspiring matter to more perfect forms of expression; the higher aspirations are tending to predominate over the material desires of the Earth.

The earliest form of Venus was the Egyptian ankh, symbol of universal life; the egg-shaped womb of the goddess, the place where life is generated, surmounting the cross of the elements. This womb from which the sun emerges is represented by the copper cauldron of alchemy. It is interesting to note that the christian religion removed this womb-egg from the ancient symbol of life, to be left only with the unbalanced cross of matter.

PLANET OF BEAUTY AND LOVE

In Venus there is a desire, a *necessity*, for beauty and harmonious union. Where she rules, there is beauty, song and dance. Instruments and bells are made of brass with the resonance of copper. Egyptian ladies used the copper ore malachite for beautifying their eyes.

The influence of Venus is predominant in the horoscopes of artists, musicians, the creators of beautiful clothes and jewellery. Artists use copper extensively for etching and print making, and in pigments for colourful paints. There are few substances on earth which possess the beauty of this soul metal, the many rich colours of red ranging from rose to almost gold.

In the alchemical operation 'the colours of the peacock's tail' appear, a bird sacred to Venus (and the African goddess of love, Oshun) which owes its beautiful blue-green plumage to the presence of copper. As much as 6% copper has been measured in the wing pigmentation of certain species of birds.

The crystallizations of Lilly Kolisko (4) using gold chloride and copper sulphate were characterized by their delicate colouration, nearly always creating a border of light green at the top of the copper "pictures".

This brilliance of colour is also displayed in copper's various ores such as malachite, azurite, diopside, chalcocite and bornite, ranging from green and blue through to purple and red. If you ever watch copper burning you will notice the characteristic blue-green flames with flashes of red. The alchemists described Venus wearing a blue cloak with a red spirit, these colours reflected even in Botticelli's painting.

The blue-green waves from which Venus rises illustrate copper's special affinity to water -- even the colour of liquid molten copper is sea-green. Most copper ores contain water, and the soluble copper salts such as copper sulphate and copper chloride, with their beautiful green and blue crystals, consist of up to 35% water. In fire copper loses its colour and turns black; when exposed to the atmosphere it assumes the green or bluish deposit of copper carbonate known as verdigris. While copper sulphate

(blue vitriol) dries into a white powder on contact with air, it rapidly absorbs water to return to its crystallized state.

As Rudolf Hauschka writes (5) "...copper absorbs water and changes it into form and colour. This capacity for organizing fluids is a characteristic copper attribute. Plants perform this function in organic nature...Copper, which has the same tendency in the dead mineral world, is closely bound up with all vegetative processes."

Copper's connection with the fluidic functions is also demonstrated in cold-blooded animals such as snails, mussels, oysters, crabs and squid from the sea, which breathe with the aid of a blood pigment rich in copper known as haemocyanin. (The conch on which Aphrodite rests is a type of mussel.) Mellie Uylert notes: "These soft, moist animals belong to the sensory element water which is linked with a person's emotional life. It is well known that oysters have an aphrodisiac affect." (6)

Astrologically, Venus (or copper) rules the two signs of Libra and Taurus. Where Libra represents the harmonious balance of the scales, in the sign of Taurus the bull, Venus shows herself as the patroness of skilled agriculture, connected closely with plants and occupations dealing with nature. Interestingly copper and some of its ores imitate plant forms, veined leaves and tiny trees. Hathor, an Egyptian form of the goddess, shows her connection with the generative forces of the earth in her cow-form (her horns which are still used in bio-dynamic preparations for gardening). She is 'union in beauty' and her name Het-Hert means the 'house of Heru', the Sun.

Edible plants rich in copper include red clover, lettuce, garlic, carrot, cabbage, chickweed, sunflower seeds, and walnuts, among others.

Copper's involvement in the circulation of liquids is also shown in the living organism, in the *venous* blood which carries the toxic substances to the excretory organs. Copper is abundant in the female sexual organs, ruled by Venus of course! and, according to Uylert, copper in the body is used up by sexual activity. She says this is the reason why people with no outlet for these energies often get gallstones, which contain copper.

In the ancient temples of the goddess her cosmic energies were conveyed by sacred prostitutes who conducted the revitalizing and healing love of Venus, the copper energy, maximizing the 'orgiastic potency' (to use Dr. Reich's term) of the worshippers. For the sake of our good health, at least, we should bring those temples back!

MEDICINAL COPPER

The liver is also rich in copper and liver extracts have been used to treat copper deficiencies. These deficiencies can cause malfunctions of the thyroid, unhealthy circulation (particularly the legs), spasmodic cramps, epilepsy, some mental illnesses, multiple sclerosis (whose sufferers often have been deprived of love and affection), and poorly developed sexual characteristics.

I have often used homeopathic copper for children's

leg-cramps -- growing pains -- and it is also used for convulsions, deficient kidney action, diabetes, etc.

One of the most famous uses of copper for many centuries was a form of copper vitriol available from apothecaries as the 'powder of sympathy'; the power of this remarkable powder for healing wounds was extolled in "A Discourse Touching the Cure of Wounds by the Powder of Sympathy" written by an English nobleman at the court of Charles I in 1658. Rather than using the powder on the wound itself, a bandage with blood from the wound was placed in a bowl of water containing a handful of dissolved copper vitriol. Its cooling effect was transmitted etherically to the wound, (note copper's high level of conductivity) apparently resulting in a rapid healing.

Another use of copper as a medicine was to rub the affected area with a piece of this metal a specific number of times a day depending on the affliction. For influenza we are told to rub the forehead with copper twice daily.

Copper's use in bracelets to alleviate rheumatism and arthritis is well known; also its disinfectant properties -- it kills algae, fungi and germs. Put a copper coin in your aquarium, or in a vase to keep cut flowers longer. Use brass doorknobs to rid your visitors' hands of unwelcome germs. There are many uses for this wonderful metal!

COPPER'S POWER OF CONDUCTIVITY

After silver, copper is the metal with the highest conductivity for electricity and heat. Copper pots have long been favoured in the kitchen for this reason -- also "...the medieval Dutchman brewed his clover medicine in a copper pan, and the Chinese their poppy-juice, for Venus' energy is transmitted to whatever is being cooked." (6)

Most of the copper produced today involves the use of this metal as a conductor, in heavy industry and the manufacture of very sensitive electronic instruments, in electroplating, engine building and heating and cooling technology.

Haushka makes an interesting connection between this power of conductivity and the angular velocity of the planets. Briefly, the average angular velocity is expressed in the degrees of movement of the planets, calculated over thirty day periods. Haushka writes: "The resulting figures are surprisingly correlated with those found in physics textbooks on the conductivity of metals... The impetus of the planets appears in a metamorphosed way as conductivity." (5)

Lakhovsky with his copper coils was also concerned with conducting and transforming cosmic energies (7). His simplest coil consists of copper wire or tubing shaped into a circle with the ends overlapping but not touching. Placed around a plant or tree it enhanced growth, as we found in our own garden, and even removed disease. As far as I can tell Lakhovsky never said why he used copper, but we have already found good reason in our study of copper here. L.E. Eeman also preferred to use copper as a conductive medium for the body's natural energy in the

screens for his relaxation circuits. [See Biocircuits by Leslie and Terry Patten for an analysis and comparison between copper and silk circuits. (8)]

In the field of agriculture, appropriately, Victor Schauburger (9) also focussed on the metal of Venus. After noticing the detrimental effect of iron ploughs on the soil -- iron dried out the ground by disturbing the soil's magnetic field -- he began using copper instead with the result being a dramatic increase in fertility. The copper helped to retain ground water. He also used fine copper filings to help 'charge' his irrigation and compost mixtures, both produced in egg-shaped containers or heaps. Once upon a time, those same copper energies were fixed by ritual copulation in the fields to ensure the fertility of the earth.

In solution copper chloride -- along with other metals -- has been used in the practice of *chromatography*, developed by Ehrenfried Pfeiffer. (10) By studying the colours and shapes crystallized on filter paper, he could determine the cosmic energies operative in various extracts mixed with the solution, e.g. to test the quality of compost heaps.

Blood extracts can be used likewise in copper chloride solution to discover diseases in the blood which have not yet shown any symptoms. "At the same time, certain medicinal herbs are seen to display the same shapes as the blood which is being examined. This shows an essential correspondence between them and the ill person, which itself indicates their suitability as a remedy in the case in question." (6)

Another property of copper reflects Venus' dynamic power of attraction; it combines readily with other elements to form alloys and readily transforms other substances into complex salts. It is because of this versatility in transforming and combining, Wilhem Pelikan tells us, "the alchemists called copper "*meretrix metallorum*," the harlot of the metals."

Indeed, everything Venus touches is seduced by her beauty.

REFERENCES:

1. THE SECRETS OF METALS by Wilhelm Pelikan, Anthroposophic Press, N.Y.
2. LE MYSTERE DES CATHEDRALES by Fulcanelli, Brotherhood of Life, Albuquerque, New Mexico.
3. ALCHEMY by Titus Burckhardt, Element Books, Ltd., Dorset, Great Britain.
4. GOLD AND THE SUN by L. Kolisko, Kolisko Archive, Stroud, Great Britain.
5. THE NATURE OF SUBSTANCE by Rudolf Hauschka, Rudolf Steiner Press, London.
6. METAL MAGIC by Mellie Uyldert, Turnstone Press Ltd., Northamptonshire, Great Britain
7. THE LAKHOVSKY MULTI-WAVE OSCILLATOR HANDBOOK by Tom Brown, Borderland Sciences, CA.
8. BIOCIRCUITS by Leslie and Terry Patten, H.J. Kramer Inc., Tiburon CA.
9. LIVING WATER by Olof Alexandersson, Turnstone Press Ltd., Great Britain.
10. CHROMATOGRAPHY by Ehrenfried E. Pfeiffer, Bio-Dynamic Literature, Wyoming, Rhode Island.

AHRIMANIC CONTROL IN THE 1990s

WHAT THE FINANCIAL NEWSLETTERS LEAVE OUT

by

Trevor James Constable

Numerous readers of my *COSMIC PULSE OF LIFE* (1976), have expressed their gratitude for the book's esoteric insights into world trends. A revised and enlarged second edition is due out in 1990, wherein this material is expanded. Many orthodox analysts meanwhile, mainly in the financial newsletters, are aware that the USA is being steadily and systematically destroyed from within. Politically, economically, industrially, spiritually and morally, the USA is being cut down. Behind this demolition stand numerous eminent and influential Americans, most of them native-born citizens. In all history, there has been no such treason and betrayal of birthright.

Slowly the reality is sinking into the financial newsletter publishers that these now-avalanching operations are taking place on an almost inconceivably vast scale. Every avenue by which the USA can be diminished is being pursued with astonishing energy and attention to detail. There is little comprehension thus far, that the overall directing consciousness is not human, or that its scope and capacities dwarf the most brilliant human beings into insignificance. This was broached in my *COSMIC PULSE OF LIFE*, and warrants overview updating after more than a decade.

Nothing will appear concerning these astral machinations in any financial newsletter, because of public resistance to and incomprehension of anything that takes for granted planes of life other than our own. *The Journal of Borderland Research* is therefore an appropriate forum to once again draw attention to world events from an esoteric viewpoint.

Man is better able in these times to understand the existence of an "astral workshop" than ever before. The rise of the computer age and the communications revolution demonstrate with force and clarity how much information regarding every human being can be gathered and stored for instant retrieval. The uses of such technology are obvious. The misuse of such technology is already a world ethical problem, completely insolvable in view of the gross imperfection of those human beings who own and control the computers. Tax officials in many countries for example, use computers to hound and harass people on an ever-increasing scale. Suicides are a common result, and the provocateurs of such crimes have no compunction about causing these deaths.

Given this background of contemporary Earth, little imagination is required to conceive of an astral workshop, manned by astral beings of evil and destructive intent, who can look in on our plane via similar, but immensely more sophisticated technology. These have virtually unlimited information about our plane of life and its beings, permanent interest in its evolutionary status and their own agenda and reasons for partici-

pation in the affairs of this plane. What they lack are the physical-material bodies that are necessary for significant earth plane action. This is the cybernetic scenario behind current baleful events, including the eclipse and dismantlement of the USA.

The earth plane is under preparation for the incarnation in the mortal body of Ahriman. He will walk the earth as a human being. Ahriman is the third member of the Cosmic triad involved in earth evolution. The occult sequence is the incarnation of Lucifer in Asia four millennia ago; the incarnation of Christ in the Middle East two millennia ago; and the imminent incarnation in the West of Ahriman, the spiritual suzerain of the inferior forces, *i.e.* the forces standing beneath Man. Nothing can prevent this event. Ahriman's advent is Cosmic in design and integumented into the whole drama of evolution. As incarnate humans, what we do control is our individual orientation and reaction to the Ahrimanic event, to which current world trends are a sinister precursor.

Dr. Rudolf Steiner has stated that ahrimanic goals include total control of the earth, the making of this world wholly ahrimanic. Steiner characterized Bolshevik Russia as a "gruesome Ahrimanic creation". Rigidification and enslavement, with an attendant darkening of consciousness and loss of emotional warmth, foreshadow in Russia the Ahrimanic world of tomorrow. Iron control of the populace is a cardinal social symptom. Significant steps toward such control of the world as a whole are everywhere being taken, cunningly masked by idealistic fronts.

Since the original version of this article was written, the glasnost phenomenon erupted. This was prompt verification of ongoing programs through which the ahrimanic powers deceive mankind, in pursuit of their world control goal. No person aware of the structural nature of totalitarian mind-set, could possibly be deceived by the grinning mask of glasnost. Millions are nevertheless being deceived, including no doubt, Mr. Gorbachev himself, who will be disposed of when his purpose has been served.

Ahrimanic agents and aims always come to us as that which they are not. Ahriman is **The Deceiver**. Were ahrimanic agents to disclose their true purposes clearly and frankly, the public would react with total rejection. Those who are dismantling and undermining America, therefore purport the most idealistic and noble motives. Involved American aristocrats and financial mandarins use their distinctions and standing in support of world government goals.

The secret orders and secret societies into which wealthy and influential Americans are inducted, usually at leading universities, are for the most part ahrimanic agencies serving

subversional goals in earth evolution. Highly educated and decent men have to be persuaded that their clandestine activities are for the benefit of mankind. The deluding of such individuals is typical of the deceptive nature of the ahrimanic powers. The cultivated elitism of ordinary secret society recruits is exploited, because such membership is an appealing adjunct to university social life. In later years, they continue to serve secret society aims, from positions of influence and leverage in politics, finance and diplomacy. Most members never pass beyond the periphery of these groups, or suspect the power concentrated at the core in the hands of black adepts, with direct linkage to the astral plane.

Yale University's Skull and Bones Society members occupy numerous key government posts, and are strategically placed in high finance. President George Bush is a member of this society, as was his father, together with the Harrimans and many other famous brahmins. At election time, the press averred that Skull and Bones was just another fraternity. Perhaps it is indeed all innocuous and preppie. Occultists nevertheless take slight notice of newspaper evaluations. They look for signatures. The Skull and Bones escutcheon is the universal designator for poison. One hopes the newspapers are right in this case.

Secret society activity has accelerated since World War I, synchronously with other preparations for the incarnation of Ahriman. Some activity has openly surfaced in the various commissions and councils such as those organized and financed by the Rockefeller interests and those hidden behind the Rockefellers. These are typical ahrimanic fronts, carrying another ahrimanic signature: they represent themselves as that which they are NOT. These groups form a shadow government in America, by which the irritating impediment of elections may be circumvented. Diffusion of such unelected rulers into every significant phase of government suffices to exert control, no matter who is elected by the public.

Ambitious political pushers quickly realized in America that without the backing of the shadow forces, they can wield no significant influence of any kind. Actual control has passed in our time wholly to the shadow forces. Mere party politics with its endless, fake confrontations and phoney antagonisms, dupes the populace. These flummoxed millions remain unaware that the country is managed from the shadows, no matter who faces the TV camera as president.

Massive shadow backing today looms behind the high-powered drive for World Government. Only one force in earth evolution stands to benefit from any such agency: Ahriman. To make Earth wholly ahrimanic requires political machinery, to manage the forthcoming attempt at the enslavement of mankind. Ordinary citizens of decency and goodwill are being brainwashed to believe that "peace" can only come to Earth out of World Government. Institutions of higher

learning support this goal, while learned professors fail to explain why existing earthly governments — all run from the shadows — are the agencies through which misery, war and destruction are inflicted on mankind. World Government, run from the shadows, can only bring total misery to humanity.

Avoided like the plague is the common sense reality: Earth has always been one world and is one world now. Within its diversity lies its unity. A World Government, bending all to a single authority, and controlled from the shadows, portends the eradication of diversity. Were it not so, the ahrimanic powers would not back and engineer World Government.

The USA stood as a prototype of unity in diversity. All the tribes of the earth were brought under one banner, in 50 states, yet were protected from each other's excesses by constitutional government. America proved that such things could be done, without circumscription of individual liberty. The individual became the sovereign amid the mass. Such advances are anathema to the ahrimanic powers.

Slow failure of American government has not been due to its forms, which a future World Government could hardly surpass. Degeneration and inevitable collapse have been brought about by corruption of individual humans who ensoul American governmental forms, and by exalted and shadowy financial figures. Corrupt representatives and judges, rampant graft and controlled appointive officials are the agents of a sad and ongoing debacle. Less evident but much more potent are the financial czars. Money Power is the major earthly agency of this corruption, but the corruptive will and primary power reside in the same extra-human source that is now illegally manipulating the world from its astral control centers. The Money Power is a major worldly instrument of the ahrimanic will, which is the source of corruptive continuity and illegitimate earth plane power. Financiers are mere mortals.

Men who have riddled the USA with dishonesty and corruption, now seek to bring the entire world under the control of international finance capitalism. These programs go forward behind a veil of fake altruism and fraudulent concern for the human future. International finance capitalism has replaced the obsolescent nationally-based capitalism of the immediate past. With sophisticated modern communications, and unimaginable financial power wielded at the tap of a computer key, international finance capitalism is the ultimate ahrimanic instrument. Sovereignty and independent governments get in its way, impede its maneuvers and frustrate its appetites.

Nothing of these machinations appears in the full light of day, which is yet another signature of the powers of darkness. Control of informational media is central to the main ahrimanic design, and the limitation and rigidification of thought in America today strangely coincide with the so-called "infor-

Control of informational media is central to the main ahrimanic design, and the limitation and rigidification of thought in America today strangely coincide with the so-called "information age."

mation age." Even bright people have barely an inkling of what is happening. Those who have correctly analyzed the situation are blocked from media exposure, in favor of endless repetitions of the Establishment drumbeat. Media control deflects, diverts, obfuscates and suppresses the truth of current events. Media clones intone about the "tides of history" – all of them using the same phrases – as impeding governments are set upon, to be destabilized and swept out of the way of the grand ahrimanic design.

Always these invasions of other nations' affairs take place behind phoney protestations about violated human rights, garnished with fake moral outrage. A free man aware of ahrimanic workings sees only one dominant tide in today's world: the tide of financial debt. Here is bondage for mankind on an unprecedented scale. The existence of this bondage is objective and inarguable. Woe betide that nation whose capable leadership produces solvency. Geopolitical targeting will ensue. The organization of that nation will be convulsed with ahrimanic ruthlessness if necessary, all behind a moralistic facade. We live in a world of masks and veils.

Who issues the debt that has resulted in current international serfdom? The same forces that invent the lofty-sounding commissions, councils and clubs with their consuming obsessions for World Government. They are the same forces that stuff such commissions and councils with famous and distinguished lackeys. Most people who bask in the phoney grandeur of such memberships should question the origin of their conscious thoughts about World Government. Excarnate ahrimanic beings access their human agents via subconscious methods, utilizing sophisticated developments of what already exists on earth as radionics. The hysterical, maniacal, nazified suppression of radionics in the USA is not an accident, because immanent in radionics is the technology of remote psychic control, as employed from the astral workshop.

The radionic rate or frequency of the human medulla for example, is already known even on this plane, and is recorded in the Drown Atlas as well as in other systems of radionic rates. This decisive control organ can be directly tuned from the astral workshop, and modulating intelligence impressed on the human owner. Thus do life-negative schemes and thoughts "arise" in the brains of secret society old boys who feel destined, qualified and ordained to run the world. This is one means by which the will of the ahrimanic powers is driven up into our world – through these men of earthly financial and political power. Subversion of earth evolution could not occur without earth plane action by incarnate humans, who become literally the hands and feet of those spirit beings incapable of function in this density, other than through "controllees."

Greed is the main motive that leads human beings to monopolize commerce, misuse technology, waste natural resources and distort and frustrate essential natural processes. The latter includes rape of the Earth and despoliation of the planetary beauty that is essential to the well being of Earth's inhabitants. Leviathan is the ahrimanic lieutenant under whom the greedy ones function. Depictions of Leviathan are to be found in certain occult books, produced by clairvoyants

who have seen this entity in his true form. Those motivated by greed should take a sobering look some time at the astral presence their greed summons.

Worst of all current crimes against mankind is the gradual and tragic corruption of education, so that each incoming generation is now shaped to accept, tolerate and participate in world corruption. The revivifying power of youth is being increasingly diverted into a frantic youthful scramble for a share of the spoils. Mankind cannot advance without steady infusions of youthful moral force. America's millions of youthful illiterates are victims of one of history's grossest crimes, their capacities dulled and diluted beyond redemption.

Men come and go from this plane. The scale and sequencing of the mighty events now climaxing bespeak a superintending intelligence not afflicted with mortality. This intelligence always enlists the aid of certain earthlings. The periodic emergence of secret societies into the open, at historical junctures when incarnates were needed for earth plane action, is well established. Dr. Rudolf Steiner's rare lecture series on secret societies describes in detail how numerous specific personalities of pre-1914 Europe were selected for murder or assassination. Their purposes in European destiny were assessed by the occult powers of black adepts in the secret societies. Where necessary to secret society aims, murder removed these personalities from the earth, to facilitate manipulation of events. Events today are being manipulated.

The moral, social, economic, industrial, political and emotional disintegration of the USA are attaining the kind of momentum that tends to be self-reinforcing. The ultimate ahrimanic obscenity – politico-economic merger of the USA and the USSR – has been in preparation for a long time. When broached in the original version of this article 3 years ago, such a merger seemed to shame the wildest fiction. In the interim, ahrimanic machinations have resulted in glasnost and the commitment of hundreds of billions of private American capital to investment in the Soviet Union. Life has to be pumped into the ahrimanic Frankenstein, a creation of the forces of death and destruction, incapable of unaided existence. The USA is simultaneously weakened by the cupidity and stupidity of its greedy investors, who blindly pave the way for political merger. World Government can eventuate only through such a merger.

The ahrimanic minions who have quietly worked for the reduction of the USA as a prerequisite for this merger, may not ever see the day when they will rule it all in the way they dream – without being elected. The most important of these misguided and greedy men are into their 70's. No matter what secret societies they belong to, and regardless of their earthly eminence, they all face the inexorable democracy of the grave. Nobody ever plotted their way around that. They must also endure the shock and agony of their own betrayal and discard by the ahrimanic powers. Loyal service in the back-to-front ahrimanic world results in punishment.

These vain and deceitful men are pursuing the enslavement of their fellows under false banners of friendship and service. There is solace for the victims of their wickedness in the grinding wheels of the Lords Of Karma.

SECRETS OF THE SOIL

Peter Tompkins & Christopher Bird

Harper & Rowe

Reviewed by Tom Brown

Here we have a most interesting new book which is an incredible compilation of useful data. For those of you who have read *THE SECRET LIFE OF PLANTS* by Tompkins & Bird (circa 1973) *SECRETS OF THE SOIL* (SOS) will come as an interesting sequel, with an amazing array of information related to the plant world.

SOS starts with an introduction telling us how bad off our food and agriculture is. Those in the alternative fields of research are well aware of this, but this book will reach far afield of our circles so many "normal" people will be shaken by hard evidence of our sad state of affairs.

Dr. Rudolf Steiner's input to agriculture flows through many portions of this book, especially at the beginning wherein some aspects of Bio-Dynamic farming are covered. The emphasis here is on packing cow manure into cow horns to be buried in the earth over the wintertime. After the burial period is over the horns are dug up and the manure has changed to a humus-like compound quite different from the original ingredient. A small portion of this substance, known as BD Preparation 500, is then stirred into water barrels or buckets. The stirring is done in a precise manner where a vortex is formed in one direction and then a reverse vortex is formed. This is done in a rhythmic fashion, to and fro, for one hour. The vortex draws in cosmic influences, as well as potentizing the water with the 500 in a homeopathic fashion. The final mixture is sprayed over fields before planting and imprints a specific impulse into the land which aids greatly in the building of healthy root structures.

The other BD Preparations, arbitrarily numbered 501-508 are covered along with their uses, including an appendix telling how to make them. BD #'s 502-507, various plants treated in specific ways, are inserted into compost piles which are then used as fertilizer. 501 is crushed quartz buried in a cow horn over the summer and when removed is potentized in the same fashion as 500. It is sprayed over plants past primary growing stages and is connected with light activities. 508 is horsetail, a tea of which is sprayed on field and plant primarily to act as a fungus regulator, and also to imprint the silica impulse on the growing plant. It is also used as a moisture regulator.

Dr. Ehrenfried Pfeiffer brought BD to the US and did many years of scientific research into its properties and actions. He used the BD Preps as a base for special sprays which are used as a compost starter and as a field spray to speed up the process of green manuring (digging in a crop to fertilize the soil). He developed a system called *chromatography* which is a way of testing for life quality in soils, and can also be applied to blood testing. While I was familiar with some aspects of Pfeiffer's work this book informed me of a garbage disposal project that Pfeiffer was working on. In 1950-52 Pfeiffer had

a commercial garbage processing plant in Oakland, California which used a special spray to break down the organic materials in garbage and build them into a fertilizing humus that was growing incredibly healthy crops. Needless to say, opposition from chemical fertilizer manufacturers aided in the demise of the plant.

For the farmer or layperson SOS will act as an interesting, albeit somewhat sensationalistic, introduction to BD practices, and it is hoped that once they are interested they will go to the source material to get the complete story. It is not a magic cure-all, as the book seems to imply, but a method of creating a quality farm through hard work and awareness and use of higher forces.

Australian Alex Podolinsky's thirty-five years of work spreading the BD impulse in his country are covered. There have been dramatic results from using the techniques as presented by Alex, and the Australian Broadcast Company ran a television show covering his work. This has created a strong interest among Australian farmers who want to grow quality crops and maintain their land quality in the process. Many thousands of acres of Australian desert have been turned into lush farmland through the spraying of BD 500. One point the book doesn't make is that Podolinsky uses "prepared" 500 - that is his 500 Prep, once taken from the horn, is then treated with 502-507.

The North Dakota farm of Fred and Janet Kirschenmann is visited. They have switched to Bio-Dynamic farming. Though the early years of organic farming were tense and weed filled, the Kirschenmanns kept going and are now doing quite well. This was a very good chapter of the book as it also showed insights into the neighboring farmer's minds - people who would like to go organic or BD. They are "hooked" on the agricultural chem-drugs that pump their crops up for sale, but provide scant nutritional value to the end user, and leave the fields wasted, needing a bigger fix next year.

The more I read this book, the harder it becomes to buy food in the stores!

Patrick Flanagan has done some incredible work carrying on Dr. Henry Coanda's search for the health secret of Hunzaland, where people regularly live disease-free well past the age of 100. Joined over the last few years by his wife Gael Crystal they have discovered many of the remarkable properties of colloids - mineral substances suspended in liquids. The action of glacial ice on mountain granite, in conjunction with the vortex action of mountain streams, puts minerals into the colloidal state. This remineralizes both human and land in a very beneficial way. The work of Viktor Schauberg is touched upon in this section.

Patrick and Gael have developed a colloidal mineral concentrate, marketed as Crystal Energy Concentrate, which

lowers the surface tension of water, allows for better assimilation of nutritional matter, and balances water content in the cell, among other interesting properties. I was intrigued to find that besides the many health-promoting properties of the CEC it also increases the tensile strength of concrete by 50%!

There is a good chapter on chelation of rocks, that is the breaking down (or metabolizing) of rocks, through organic algae growth, into soil and soil nutrients. This is tied in with quite well with the concept the title suggests. The first half of the book covers the concepts of the soil quite well, but from that point the information remains vital, but not completely coherent with the theme of the book. Noticeably absent was any mention of Baron Albrecht von Herzelee whose experiments circa 1870 showed that the soil does not create the plant, but that the plant creates the soil. The Baron was mentioned in *THE SECRET LIFE OF PLANTS* and I kept expecting him to pop up as an important key in *SOS*.

There are also good chapters on: seed saving, (the storing and spreading of varieties of natural seeds in order to allow continued organic diversity of earth's plant cover); weeds as guardians of the soil ("no such thing as a weed" Rolling Thunder always said); John Hamaker's coming ice age theories and how to stop it with rock dust remineralization; and related ideas; and, Azomite, a natural colloidal silicate, (also known as *diatomaceous earth* or *montmorillonite*) which acts very well as a soil remineralizer. An interesting point is that the hills in Utah where the Azomite comes from are pink. Haroldine, from Lithium Labs, sent me some montmorillonite from the Pala lithium mines in southern California. Perhaps the pink indicates that the Azomite hills contain lithium.

There is a very interesting chapter on Sonic Bloom, a foliar spray combined with digital sound that enhances food plant production. We read of large crops of tomatoes grown on sawdust. This chapter struck me as out of place in this book, the reason being that the soil condition seems to be completely ignored in this system. This does not detract in any way from the incredible potential of Sonic Bloom, but it does divert from the general theme of the book. I was left wondering if Sonic Bloom is a beneficial impulse to a sustainable agriculture, or if it is just a quick way to feed many people, financially benefiting the proprietary owners, without any long term benefits to the soil. The most important information in this chapter pertaining to plants was Dan Carlson's experiments with his daughter wherein they each got morning glories to grow different colors by concentrating on them, and the information on how the noises from birds and bugs are essential to plant growth.

On the subject of atmospheric purification a ritual is presented, consisting of burning dried dung in an inverted copper pyramid, along with ghee, rice and sandalwood. Titled *Agnihotra* this is a most interesting purification method.

Dr. Phillip Callahan's research into the stone towers of Ireland is a fascinating chapter. He proposes that these towers were designed to increase the flows of solar and earthly

energies to the benefit of crops. Modern experiments have shown this to be on track.

Callahan's research into the infra-red spectra and how it is used by insects is very important data which applies to many aspects of the borderland sciences. He has studied the antennae of insects in comparison with various radio-frequency antennas and has found many similarities. He claims that an agricultural field, when out of balance, produces a certain wavelength in the infrared spectrum which attracts the insect. From a mechanistic point of view this would seem most valid. Experiments have shown that insects definitely react to these vibrations and this is a good point of entry into the subject. What is completely ignored in this is the question of where the insects come from. A wholistic view of the plant organism considers the insect to be part of the plant's energy field which appears when the plant needs it for whatever reasons (pollination, destruction, etc.) Without a solid conception of where the insect appears from we are left wondering their origin (from across the Bering Strait or from the etheric realms themselves). For a book that attempts to go deeply into the spiritual view of these matters there was a gaping hole on this one.

Should you read this book? Absolutely...

Galen and Sara Hieronymus' work with radionic agriculture is covered well. They have done some most interesting and important work researching the subtle energies of the plant world. Radionics can treat soil and plant conditions from a distance, this has been shown many times. Galen developed what he calls the Cosmic Pipe which broadcasts energies to fields in which they are placed. Various substances, such as soil treatment materials, can be placed in the unit for broadcast to the field. I can't help but get the impression that this device is based on Eric Powell's Auto-Normalizer, which was based on L.E. Beman's substance circuit research.

I personally hold the Hieronymus' work in very high regard. However this book raised in me some serious questions about the overall capacity for radionics in an agricultural situation. The effects of radionics have been shown for many years. Insects can be gotten rid of, crop quality and quantity can improve, but what of the overall quality of the soil? Using chromatograms, developed by E. Pfeiffer, BD prep 500 which had been stirred for one hour, and a radionic copy of it were compared. The BD 500 shows good vitality, the radionic copy - none! This amazed me and I still haven't finished thinking it out. Sara Hieronymus told me that she has been broadcasting the same set of BD preps for years, thereby saving here the need to buy or make it regularly. It is well known in BD circles that the preps lose their potency quite rapidly when taken out of storage. Do Sara's radionic witnesses have any vitality left? Is her good intent psychotronically overriding the true radionic action? Lots of serious questions here for borderland researchers. (Let us know if you have answers.)

Machaelle Wright Small has a garden she calls *Perelandra*. She actively communicates with the plant and insect devas (spirits) in this garden. If insects are infesting a crop she asks them to pick one particular plant in the crop and take that for

themselves — and it works!! I enjoyed this chapter as it shows that real contact with the forces is necessary for any long term viable agriculture, though this kind of talk might spook a few farmers interested in other aspects of the book.

The Epilogue concerns Russian Alla Kudryashova's work with psychic conditioning of various materials including plants and water to treat plants. The Soviets are quite interested in psychic activities and this is carried on in a somewhat official manner there.

The first three appendices were so out of place that I would recommend that the authors remove them from any further editions of this work. Appendix A begins with "To appreciate the agricultural wisdom of Rudolf Steiner and Alex Podolinsky requires an insight into the hermetic tenets of a spiritual movement Steiner first belonged to in Germany at the turn of the century... The Theosophical Society...." Nothing could be further from the truth, and I can see why some students of Steiner's works are a bit annoyed at this book. Steiner was involved briefly with Theosophy (which has no agricultural impulse within it), but left it when he got suspicious of certain activities such as the promotion of Krishnamurti as the reincarnated Christ and the related scandal which emerged because of certain people getting chosen as reincarnated saints and such solely on their political connections to the society. Steiner was offered the chance to become John the Baptist which he obviously could not, and would not go along with. This type of scandal never entered into the Anthroposophical movement which Steiner founded on his own insights.

Theosophy represents an oriental impulse from the past brought to the west. Steiner rejected this as a central world view and from his own clairvoyant insight developed a western mystery tradition for the future, which includes his Agricultural lectures of 1924, (which I feel are in many ways the culmination of his previous scientific lecture series).

These appendices go on to talk about Charles Leadbeater's Occult Chemistry, and how he clairvoyantly saw "quarks" in the late 1800's. This is a fascinating story, most worthy of telling, but completely out of place and out of context in this book. Leadbeater looked *into* matter, beneath the threshold of the normal senses. Steiner considered this to be the *subsensible* realm, the death oriented polarity, and worked hard to get people to look outward to the cosmos — to the *supersensible* realms, the source of the life energies. If anyone reads Steiner's *Agriculture* lectures they will clearly see that he consistently warns about orienting research in the wrong direction, and I wonder how the authors would include such orientation after claiming so highly for Steiner's insights in the main portion of the book. I feel that these first three appendices will be very disorienting to people who haven't the wherewithal to sort these deep matters out.

Appendix 4 is on Rudolf Steiner's etheric sciences and it does a fair job of trying to sum up his conceptions of the etheric on a few pages. It is difficult to piece together Dr. Steiner's

conceptions of the etheric from the writings which he left behind, and this appendix attempts to address this with some of the available literature on the subject. There was absolutely no mention of Dr. Rudolf Hauschka who experimentally showed the direct relationship between the four ethers and Vitamins A through D, and linked them with various sections of the plant (oils, hulls and peels, leafy vegetables, and, lipoids, respectively). Hauschka's experiments were in many ways an outgrowth of Baron von Herzelee's, and are an important key to understanding the relationship of the etheric and elemental realms, with the plant world as mediator. They play an important role in the true secrets of the soil.

It is a bit difficult to piece together the etheric from any writings. It is something which must be experienced, and Steiner pointed to the study of plant metamorphosis, as propounded by Goethe, as an important gateway to these matters. In reality the finest of modern human minds are barely capable of grasping the full conception of the etheric realms, so I do sympathize with the authors, and I understand their misorientation of the first three appendices. Such is the

incorrect orientation of our modern minds which authors such as Ernst Lehrs, whose brilliant scientific outlay of the etheric realms in *MANORMATTER* was also noticeably absent from this material, tried to straighten out.

Should you read this book? Absolutely, there are large quantities of excellent ideas you can begin implementing today whether you have a single houseplant or 10,000 acres of corn. I highly recommend it as you will be introduced to some important works,

such as those of Steiner, Pfeiffer and Lilly Kolisko, as well as many other timely ideas such as Hamaker's Ice Age theories which counter the hot greenhouse of "official" science, the Flanagan's progressive research, and Callahan's insights into the infrared. In a book this size (444pp) there are always more ideas than can be included in a review of this size. The authors have apparently spent quite a bit of time compiling this book, but it has the feeling of being rushed out. The appearance of a number of errors adds to this conclusion. For example, *AQUALITHIA* a natural telluric water available through Lithium Labs in San Luis Rey, California is listed as "*aqua lithium* produced by a lab in San Jose"! This coupled with a number of major typos (*Steiner's conceit*, rather than *Steiner's concept*) makes one wonder if anybody seriously proofread the book before printing.

The complaints I have against SOS are minor compared to the beneficial aspects of the book, but they certainly needed to be aired on a major publication such as this, and they should be kept in mind as a caveat while reading it. There are source addresses for much of the materials, such as BioDynamic information and soil remineralization data, but neglected is an address for the Flanagan's materials—after giving them an excellent write-up. Probably errors of omission due to haste in production. Regardless, you will no doubt benefit on many levels by reading this book.

Steiner... worked hard to get people to look outward to the cosmos -- to the supersensible realms, the source of the life energies.

Conference report:

Silica In Agriculture

BIO-DYNAMIC FARMING AND GARDENING ASSOCIATION

51ST ANNUAL CONFERENCE, August 4-6, 1989

Rudolf Steiner College, Fair Oaks, California

The setting for the 51st Annual BD Farming and Gardening Conference was on the site of the Rudolf Steiner College and the Sacramento Waldorf School with a Bio-Dynamic Garden. The location is in the middle of the central valley of California which has received a warmth and light impulse from the silica in the granite Sierra Nevada mountains to the east. The theme was Silica in Agriculture, The B-D Quartz & Equisetum Sprays, Their Understanding, Application, and Effects.

The conference was set up so that there would be four main lectures on the conference theme, as well as many workshops that could be chosen from. A partial list of the workshops follows:

A Practical Intro to B-D Farming -- James Barausky
Practical Aspects of the Silica Cycle in Agriculture -- Michael Jost

Equipment and Techniques for Farm-Scale Stirring and Spraying B-D Preparations -- Alan York & Anne Mendenhall

Understanding the Polarity of Silica & Calcium for Fruit Production -- Alan York

Making and Understanding the Equisetum and Silica Preparations -- Hugh Courtney

The Art of Compost Making -- Harald Hoven

Herb Growing -- Heinz Grotzke

Bio-Dynamics in the Home Garden -- Beth Wieting

New Perspectives on Beekeeping -- Gunther Hauk

How to Work with Children in the Garden -- Gunther Hauk

Creating a Total Farm Organism -- Lincoln Geiger
Community Supported Agriculture -- Rod Shouldice

There were only three time periods set on Saturday for the dozen or so workshops so one had to choose wisely which to take. This was a very hard choice, as I wanted to go to all of them. I finally took A Practical Intro to B-D Farming, Bio-Dynamics in the Home Garden, and, Making and Understanding the Equisetum and Silica Preparations,

The talk Friday on Silica In Agriculture was given by Heinz Grotzke. This was a wide ranging presentation which really opened my eyes to what silica was and how essential it really is in agriculture, as well as life in general. Ideas in this talk ranged from the mineral and chemical activities of silica in the cycles of growing plants to ancient conceptions of releasing gnomes by crushing silica rock

and using it in BD preps.

Both Saturday and Sunday began with Eurythmy and Speech exercises. The Speech exercises were quite enjoyable, as motion was incorporated at different times of a statement to change the inflection. Eurythmy is a form of exercise developed by Rudolf Steiner which incorporates movement in harmony with language. The energies I felt flowing through my limbs while doing Eurythmy were the same as those aroused during Taoist yoga practice. It is my impression that Eurythmy is a western internal art, and an enjoyable one at that!

The Saturday morning lecture was by Michael Jost, former Professor of Plant Pathology at Michigan State University. This lecture delved into the types of silica and how they are related to agriculture, including the silica content of insects. There was some interesting information on how the leaf angle of rice, a high silica plant, drops with the lack of silica content. Michael also discussed the cycles of the earth and how they are used to prepare crushed silica crystals into the BD Prep 501. It is buried in a silica-based cow horn during the summer when the earth is asleep. This lecture also included a slide show on the horn motif through the ages. There was one slide showing an African compost heap with horns placed on top, as well as many connections through mythologies of ancient civilizations ranging from the Mediterranean through Chinese unicorns to Polynesian phallus-horns. A very interesting presentation.

I then went to the Practical Intro to B-D Farming workshop. The leader, James Barausky, had lumps of clay passed around so that people could work with their hands while the information was being passed. James first went through a chronology of Rudolf Steiner's works, showing that the Agriculture lectures came near the end of his life, when the practical fruits of his works were manifesting. He spoke of the necessity of a relationship to cow manure in developing a BD farm, and of meditating on the cycle of the year. There were also discussions of the main mineral constituents of the plant world and how they relate through various intertwined polarities. There were many practical ideas presented on what types of manures make the best compost, as well as what to feed animals for proper nutrition. This was a very good workshop as it delved into the deep processes which are behind Dr. Steiner's agricultural impulse, as well as getting down to the practical world of

piling up the manure for compost and planting the seeds.

In the afternoon I first went to the Bio-Dynamics in the Home Garden workshop. This was a very open workshop where everyone first expressed the reasons they were there and the information was then oriented toward the most practical means of helping people advance in their work. This covered many ideas, from what to plant to what to do about fields that were previously treated with chemical fertilizers. This also included a discussion of the making of the BD Preps, and how to properly construct a compost pile. The importance of the calendar was discussed, with the Kimberton Hills Agricultural Calendar as a base. The use of lunar rhythms was discussed on a practical level and I enjoyed learning that all the plants called "weeds" are actually plants that are related to the lunar rhythms -- they germinate towards the full moon. By weeding just after a full moon one will do much better than if they weed before. I've since tried this since and it works! The calcium -- silica polarity was discussed with their respective characteristics in plant growth. For example, calcium is behind fleshy plant growth, with big cells. It is related to earthly nourishment. Silica forms the finer parts of plants, such as in asparagus plants, and aids in seed forming. It is a cosmic impulse. This ended with a discussion of how BD farming and gardening was the least manipulative of viable agricultural approaches.

From there I went to the Making and Understanding the Equisetum and Silica Preparations with Hugh Courtney, who make the BD preps for the BD Association. This covered what are known as BD preps 501 and 508. 501 is crushed silica crystal which is buried in a cow horn over the summertime. 508 is Equisetum Arvense, common horsetail, and is crushed, dried, and a tea is made from it. Equisetum, when burned, produces about 99% silica in the ash. As Rudolf Steiner gave basic ideas to follow there are many opinions as to the exact procedures to follow and there was some discussion of this at this, as well as the other workshops. The answer was always the same -- try it and see, for BD is not an intellectual pursuit, but a means for producing quality foods that will allow the human to grow physically and spiritually. This workshop was very comprehensive and covered many ideas related to the use of these two BD preps.

Hugh related an interesting anecdote on his work. He related a certain spraying cycle of the BD preps he uses, Barrel Compost, 508, 500, 501 and then a milk & honey spray he uses to "seal" the others. This takes place over a several day period and just about every time he goes through the cycle it produces rain. I responded with my experience of winds starting up about 15 minutes into the vortexian stirring of BD preps, winds that last up to an hour after stirring. It only makes sense that if you are adding the BD preps for balance of field and crop that nature herself will respond with the necessary input. The name Viktor Schauberg came up in this discussion and it was very

interesting to note that the people involved with BD, while remaining focused on their work, are also well aware of other happenings in the field.

Hugh related a bit of information which I felt was the most important piece to emerge at this conference, which was a most important event in itself. In Australia Alex Podolinsky has been using "prepared" 500 as a spray to benefit the agriculture of that continent. In this workshop Hugh discussed the following relationships: Asia/Australia is related to the cosmic polarity of our planet, which makes 500, the earthly prep, the most important BD prep for balancing agriculture in that area. Podolinsky's decades of success gives that view much merit. The Americas are related to the earthly polarity so that a cosmic impulse, given through BD prep 508, is greatly needed. Europe and Africa are central, and Hugh related the BD preps 502-507 as the impulse needed there. Of course all the preps should be used, but there is a major need on the American continent for the cosmic impulse in agriculture. Hugh calls the 508 the "forgotten prep" and feels that its use must become more widespread for agriculture to gain its fullest potential. Something struck me to the core when I heard this, and I hope that alternative agricultural information sources pick up on this. It should be noted that there was no one from the alternative agricultural press at this conference!

Saturday night Gunther Hauk gave his presentation on The Plant in its Total Environment. I'm not sure which impressed me more -- the content of the talk or the manner of presentation. Actually they were wrapped into one impulse that was for me the high point of the conference. Gunther discussed the form and color of the plant, the etheric forces streaming from higher beings, and the actions of the elemental beings. He related the four ethers with the gnomes, undines, sylphs, and fire beings. These were discussed in a manner that one knew the presenter had direct experience with his subject. The various facets of nutrition and their actions on the diverse parts of the body were presented. A very important point was brought up, and that is that the agriculture of today gives us food which provides for poor formation of the body and mind. Steiner's impulse to agriculture was so that the higher forces of the cosmos could stream through the human race. This is not possible today due to the low quality of food. The BD group makes sure that the children get the best food, as they are the reason behind building for the future.

Gunther Hauk also gave a workshop on New Perspectives on Beekeeping, which I didn't attend, but heard reports on. I never gave this subject much thought, but Rudolf Steiner gave a full lecture series on beekeeping. Gunther told of how bees may not survive this century! Steiner indicated this and it is becoming rapidly true. Those of you with interests in this area should check this out.

Continued on following page...

Book Review

TAPPING THE ZERO-POINT ENERGY

by Moray B. King, Paraclete Publishing

Box 859, Provo, Utah 84603

Reviewed by A. W. Rice

Mr. King holds a B.S. in Electrical Engineering and an M.S. in Systems Engineering from the University of Pennsylvania and is presently employed in the engineering profession. Obvious from reading his work *Tapping the Zero-Point Energy* he is also an avid researcher and master of the subject of free energy and borderland science.

BD Conference continued...

Sunday morning's lecture on Silica -- Substance and Process was by Dennis Klocek. This was another presentation of a high order. I got so engrossed in this one that I didn't take many notes. Dennis discussed the span of existence for silica from the formations of mountains to the life of plant and human. There are many types of silica stone and they break down and are used in various ways by nature. The silica process is an integral part of life on earth and reacts with substance in many ways. This was a very deep presentation of amazing clarity, and I'm sure that quite a bit of valuable information is imbedded somewhere within my subconscious mind, ready to be used sometime in the future. This talk ended with a bit of discussion of rock dust (silica) being used in agriculture.

After this there was a plenum on the conference theme and it was a lively discussion of presenters and presentees. Following that was the Annual General Meeting, and that ended a most enjoyable conference.

This presenters at this conference held very tightly to the theme. There was definitely an impulse from a higher source manifesting through the many presentations. I don't think this was intentional -- everyone came to tell what they knew on an individual basis -- but it seemed apparent to me while taking an overview after the event.

The presentations at this conference were not recorded or videotaped. In some ways this is a good idea. One of the farmers in attendance told me he was against recording these lectures because they really needed to be carried in the heart. In my average state of mind there was simply too much quality information to absorb at once while considering the practical side I wished to put into practice. I was literally stunned for days afterwards, considering the many ideas I heard, and I would love to watch all of the lectures again. There is a great need for lectures and presentations of this quality to be made available to a wider audience, and I hope that the BD Association considers this before next year's conference. On the other hand, it is so much easier to not have the electronic world absorbing the flows of energy coming through those presenting, and this could potentially have a profound effect on the subtle levels.

Oh, I forgot to mention the food -- it was incredible!

The book consists of a compilation of nine of his essays authored between 1976 and 1989, each concerning the theme of zero-point energy and the non-random coherence of that energy into usable form both by natural and artificial means. There is some repetition from one essay to the next but in this case that turns out to be a plus, especially for those of us who, like myself, need to hear it several times before we get it straight. Also much to its credit this 170 page book has 54 pages of bibliography which can be a real treasure to the serious researcher.

Anyone who has looked into the free energy literature knows that there are many mysterious devices, schemes and theories that allegedly obtain various energies from "etheric spaces" and deliver them unto dedicated tinkers and secret government labs the world over. Well maybe.

Since we all know that the conservation of mass and energy laws forbid the delivery of something for nothing the obvious first question we ask is "where does all this free energy come from?" This is the question Mr. King answers in no uncertain terms. He says the base source for virtually all anomalous phenomena, especially the act of obtaining free electromechanical power from "thin air" is something called zero-point energy of ZPE for short. ZPE is submicroscopic motion of point particles. It is everywhere, contained in all space. There is a lot of it and it is so densely packed that it is measured in mass terms rather than energy terms. It is stated as being 10^{93} grams per cubic centimeter or more than Earth mass for each cubic millimeter. So much for the energy shortage.

The second question is how can we get at the ZPE and transform it into energy of usable quality and quantity? Well if you believe that energy has been obtained from sources other than chemical or nuclear reaction then you can say that researchers, past and present have shown many different avenues to the tapping of ZPE. Many of the better documented cases of alleged free energy and antigravity are mentioned and discussed in light of their possible common connection to the energy "wellhead" of ZPE. Most notable is the excellent essay on the Pons/Fleischmann cold fusion experiment, an experiment that seems to have given many lesser authors and publishers a rather nasty case of lock-jaw.

Also evident in the work is Mr. King's coherent cosmology that suggests how the natural geometric structure of space can cause the ZPE of the quantum sea to become self organized in a way that leads to the formation of atomic particles, physical forces, and even life itself.

The only weak point I noted was that the aspect of time and time direction as it pertains to ZPE was not addressed. Mr. King relies on a multi-dimensional hyperspace model to illustrate and explain his subject and yet does not really say which dimension is which or let on as to whether or not time is included as one or more of these physical dimensions. However he may have intended that the Einsteinian 4D concept of time should be applied without having to digress into the subject of Relativity.

In summary I would say the "Tapping the Zero-Point Energy" is one of the best "New Physics" publications to date. Get a copy now or wait for the second printing!

MAN OR MATTER

by Ernst Lehrs

*Introduction to a Spiritual Understanding of Nature
on the Basis of Goethe's Method of Training Observation and Thought*

Rudolf Steiner Press, London, ISBN 0-85440-430-9

Reviewed by Gerry Vassilatos

This most excellent text belongs in the library of every serious researcher. Both a student of Dr. Rudolf Steiner and himself a researcher, Ernst Lehrs represents an epoch of alternative thought. In the brilliant clarity of his exposition and the sheer breadth and scope of his great treatise, we are elevated into a new realm of insight and inspiration. Learning from his brief biography that Lehrs was hired by Steiner to teach science in the Stuttgart school, and I myself a science teacher, I was startled into certain conclusions. First, the freedom which was his to exercise opened communication of truths he had culled from his Goethean view of Nature must have been quite an experience for his pupils. No doubt, these persons have become models and sources of the living natural science which found expression under Steiner. Second, Lehrs himself must have participated in the most lofty of the academic transportations while relating in such an open and frank manner with those students. The freedom to express one's deepest beliefs and practise them is indeed a rare privilege. Most of the persons I know who are engaged in any form of alternative thought and research must do so at the expense of "their double-life." This is a sadly modern truth, that persons educated and enlightened to these marvelous truths concerning natural phenomena, must support themselves very often in positions which contradict their beliefs. As a teacher I may tell you that the public school curriculum is simply a tool of the propagandists. Their aim is to maintain dogma in the face of overwhelming rebuke. So much has been learned in the alternative sciences that it is not a wonder to me any longer why the truth must take to the underground and be labelled as such. Ernst Lehrs was bold the day he approached Dr. Steiner in conversation of these facts, and wonderfully met by Steiner's unexpectedly gracious response.

One of the most illuminating discourses, among the many episodes in this text, dealt with the condition of modern man. The why of our present position in scientific "reasoning" and "skepticism" was discussed in startling depth. Just for the fact that Lehrs was the contemporary of many of the legends of early etheric physics, makes this valuable. He traced the history and steps which these early researchers took in approaching natural experience. Theirs, he pointed out, was to prove a vain quest even in the sight of their wonderful findings. This was so, he says, because of critical flaws in perception. From the start man was doomed to fall into a pattern of "onlooker-consciousness" and not participant-experience. The record of this travel

through science history annotates the forgotten lore in every field and of every major name revered. Why Sir William Crookes began to investigate vacuum discharge phenomena after his dear brother's passing was an especially touching episode. The many nuances of any period's developing thought is vital in our understanding the why and how of our present problems. Indeed, this book is another one of those treasure finds wherein we find healings of the psyche and a refreshing look at our own initial quests. Clearly, the beautifully whole science of Natural Energy and Manifestation common to many at the century's turn, is ever-present in these pages. The numerous lovely etchings reminds me of the many great works which include those of Baron Von Reichenbach, Charles Fort and J.W. von Goethe. This latter luminary forms the great basis for the poise and strength which Ernst Lehrs exhibits so elegantly in this marvelous essay.

Many lost episodes of our modern position are covered in great detail, and this is to continue throughout the writing of the book. Bibliography and cross-referencing is very good for those of us, who as myself, are bibliomancers of the arcane and the obscure. It is a quote of Sir William Crookes' which probably coined the name of our own journal, when the "Borderland Science" of etheric transformation was mentioned. A detailed account of these discourses is made.

The author goes into wonderful detail concerning the methods and foundations of the science of Goethe. In fact, one finds a very profound bulk of the Goethean system of perception-participation all too well outlined in good perspective by an aficionado. Lehrs took his teachers' own lessons to heart, becoming perhaps one of Goethe's own best pupils. We are shown, in context, the method of perceiving counterspace and etheric formative forces clearly taught. The color theory of Goethe is mentioned in relationship with many other phenomena, and Lehrs does bring the theory into his contemporary viewpoint – which is refreshing in giving the original essay even more force and power than it already has. For, in the color theory of Goethe, we find the marvelous detail which Newton's prism-based notions lacked. And Lehrs is a brilliant and good teacher. One feels the kindness which his pupils must have enjoyed under his teaching. The total scope with which weather phenomena and earth formations are brought together in a lovely sweep proves the mastery of the author both in the classroom and as a writer. Remember, the main thrust of the treatise is to show a new mode of cognition,

and the wonder-filling healing promise which such a viewpoint holds for its participants. The lesson to us, his readers, is both to enjoy and partake. Lehrs made this an easy thing in the common-sense language so typical of Goethean descriptives. Having been highly recommended by the De la Warrs in England as well as by Mr. Trevor James Constable indeed adds all the heavy weight in obtaining copies while they are to be found. Very often such works are absolutely impossible to find. Even when located by other bibliomancers, the costs are somewhat eye-opening. At the present price, (US\$24.95) this 530 page tome is also an excellent purchase.

A very lengthy and thorough description of the various ethers of Steiner is given to us. All the while, throughout the entire length of the book, Mr. Lehrs has been teaching us both how to perceive and participate, and how to experience understandings concerning natural wonders. Even the most ordinary seeming items are made to fit into a total world-view. Even as Wagnerian music is global in scope and depth, so too is this excellent work by Ernst Lehrs. Each paragraph of the book has some fresh insight for you. Every page will cause you to realize some unexpected thing, and may in fact consolidate some of your loose-ends. The writer, qualified and sincere, leaves no stone

unturned. The conversation is easy to read, and is absolutely filled with gems of every unexpected kind – seeing that Lehrs was, himself, a treasure of learning. Teachers such as these must be revered and studied. We cannot hope to make advances when our own modes of knowing are so frightfully admixed with the inert philosophy of modern dead organized science. Whenever you have looked through a science text, hoping to find clear state-

ments of the things you hope to reach between lines, you will realize the worth of this text. Though several topics are freely discussed in chapter after unbelievable chapter, yet the lesson is marvelously one. And the lesson is taught as if itself is an exercise in participation, not mere observation.

It is certainly hoped that other books of Ernst Lehrs will turn up. His is as important a style and presence as

Steiner and as Goethe before them both. One must sit back and realize that theirs was and is a tradition of Western Mysticism. They preserve the wondrous joy which the European alchemists shared in their developing arts. Seeing the glorious wholeness of all of Nature, while being part of that unfolding drama is our quest and goal. We seek to find the deeper wonders which inner sight teaches us from childhood's dawn. Many of the items of our young belief is found written and shared in such texts. That others have had the same experience as each one of us is a warmly glorious sensation. Many of the forgotten personal views are again given fresh life by Lehrs during the reading of his descriptives.

I highly recommend this text to you. Along with this, I also recommend that you take serious time to obtain and study the books of Goethe and Steiner,

which preserve the peculiarly wonderful tradition and feel of another time. While we hope to find ourselves in their paths of learning during our own time, it is both a vital and connective experience we gain while looking back. We will find our own errors being corrected by these good teachers of ours. Their words live on in truth, abiding in the hearts of those who cherish and honor the deep glories of truly knowing Space and Earth.



Plate II from *Man or Matter* showing the various cloud modifications as indicated by Luke Howard.

Workshop report:

**VORTEXIAN MECHANICS
AND IMPLOSION WORKSHOP**

with Walter and Rhett Baumgartner.
November 3-5, 1989, Millbrae, California

This workshop came off quite well. Many of those in attendance came with ideas of their own to share and many good connections were made. After the end early on Sunday evening there were many satisfied people saying farewell.

It began Friday, November 3rd, with a lecture titled "A Survey Of Our Technological Impact Upon Our Planet AND How We can Find Solutions To Our Crisis." The first half, given by Rhett was a bit gloomy—it was a well put together statement of our society's dangerous position. The second half, given by Walter was quite upbeat with an introduction to vortexian concepts and how they can be manifested using the ideas of Viktor Schauberger and Walter Russell.

Schauberger worked with water in many ways to harness its energy and to allow it to act in its natural manner. He developed water purification systems that created natural spring quality "living" water. He also developed agricultural tools made of copper, and designed to work the soil in a natural fashion. Walter Russell, a gentleman who had an incredible enlightenment into the nature of energy and matter earlier this century, developed a wave mechanics for understanding the universal action of the vortex.

Saturday began with a step-by-step introduction to two polarities of motion — centrifugal and centripetal. Following this was a slide show going from microscopic life, based on the vortex principle, to the cosmic vortices of the galaxies. This led into a talk, with models and slides, of Russell's wave mechanics theories.

The afternoon brought on a more hands-on aspect to the workshop when a vortex bottle was passed around for all to experiment with. It took a while for the bottle to pass around the room as just about everyone was noticing new nuances which they had never noticed before in vortex action. This led into a lecture on "Water As A Living Organism, Its Metabolism, Characteristics, Its Importance As A Carrier Of Life Force, Its Destruction And Its Revitalization."

We then took a break and had a taste of Vortexya Health Water, which is made in a device similar to Schauberger's "living water" devices. My impression of the water was that of a mountain soda spring. It

tasted good and I'd certainly like to do a bit more experimentation with it. The comments varied. Peter Lindemann snuck an extra glass and later told me that the water energized him and livened him up.

The Vortexya device was then demonstrated. It consists of an egg-shaped glass vessel with a sealable cover. This cover has a CO₂ injection valve and a pressure valve. Distilled water is taken and trace minerals are added. The water is pressurized with the CO₂ and it is placed on a magnetic stirring machine which creates a vortex in the jar. This is run in a refrigerated environment for an hour or more and then served. The oxygen in the CO₂ is released after drinking giving the system more vital energy. Production considerations on the Vortexya device are in progress and they will be available soon.

After dinner came what I considered to be the highlight of the workshop—The Wasserfaden (Water Thread) Experiment. I wasn't sure exactly what this experiment was going to be, though I had read of it previously in writings on Schauberger. Basically it consists of two falling streams of water placed about 18" apart. Each stream passes through a copper sheet (or flat coil as the Baumgartners used) with a hole in the center, and drops about three feet into a small plastic bucket with a copper plate on the inside bottom. The copper plate at the bottom of one stream is connected via wire to the plate or coil at the top of the other, and vice versa. As soon as the streams began to fall they would spread out and the outer perimeters of the stream would begin to levitate to the top plates. A hand placed near the stream could feel an ion wind moving *upwards*. What makes this more interesting is that when you stick a fluorescent tube into one of the streams it lights up! If you touch one of the top plates you will get a good shock.

This experiment, which was apparently first developed by Lord Kelvin, shows very interesting electro-static effects of water. Usually electro-statics must take place under extremely dry conditions. This is probably the same mechanism that gives us negative ions around waterfalls and crashing waves. To see its energy potential, to hold a gas tube in water and see it glow, is to see the potential for a new technology.

Walter said that the San Francisco area water, which tastes of heavy chemical additives, did not produce as good of an effect as did the artesian water they had used a week or so previously at a workshop in Hawaii. On the islands, with pure water, the tube

glowed incredibly bright. Quality definitely has something to do with it.

Sunday started with a lecture: "Designing Machinery Based on Natural Principles: Practical Applications Being Researched For A New Fuel, New Power Generators, Prime Movers, New Transportation, and Propulsion Systems." This covered a wide range of topics and included a lot of questions from the audience on practical avenues to pursue in realizing the dream of vortexian energy.

There were two extra events thrown in that made for a memorable workshop. The first was a showing of a privately issued video of Trevor James Constable's latest work with rain engineering and pollution control using vortexian technology. The future vortexian technology could be seen in practice today. This video went over big with the group, and the room was full despite the video being run during the second half of the lunch hour.

After that we were treated to a lecture by Jake Possell, a man who has done an incredible amount of work upgrading the turbine and pump conceptions of Nikola Tesla into a viable technology. The Possell pumps can pump just about anything vaguely related to liquid, including the heaviest weight crude oils, while possessing the finesse to pump live fish without harm. It was a pleasure to have such a dedicated pioneer come in person and talk about the latest happenings. Many questions were fielded during this period and we were all pleased to find this technology becoming more and more available. Thanks for coming Jake! Those interested in the Possell pumps can get more information from Energy Unlimited, Box 493, Magdalena NM 87825, (505) 854-2634.

The afternoon finished with a shortened program on Vortexian Agriculture, Pollution Control, Waste Water and Sewage Treatment devices. After that the conversations went on till everyone had to make for the home front. All in all an enjoyable and informative weekend and Walter & Rhett are to be commended for their dedication to spreading this wealth of information.

There are two Vortexian Mechanics Workshops coming up. First is in Tampa, Florida, on March 9-11, 1990. For information on this one contact Tom Taylor at the E.U. Workshop # (319) 732-3121. The second will be in Los Angeles, April 6-8, 1990 and is sponsored by BSRF (contact BSRF for info). The cost for these 3 day workshops is \$175.

FIZIX KORNER

WITH PETER LINDEMANN

Free Energy! You've heard about it. You've wished you had some. I've told you that this column is going to explore it. So you may ask, "Where is it"? Where's all the free energy?

Well, I'm going to tell you. Since the BSRF laboratory is not funded it's up to all of us individually. All you experimenters who built ball-bearing motors, checked out the neutral-line on your magnets or dropped spinning balls, you and I are going to build a free energy machine in 1990. In this article and in the 5 that follow it this year, you and I are going to explore every detail of how to build a self-running device that gains all its energy from the natural environment.

This exploration will look very carefully at the laws of action and reaction, motion, conservation, efficiency, loss, friction, the problems encountered by past experimenters, theories, mathematical formulas and calculations as well as the art of taking accurate measurements. No laws will be broken and no stone will be left unturned.

There are two kinds of help we need the most. The first is people who will think and actually do original experiments, using the scientific method, and report them to us. The second is people who will honestly critique the reports for scientific accuracy. Hopefully, some skeptical, yet sympathetic scientists and engineers will fill this role for us.

On this stage, I present the project for the year. Since the device is a machine, it will have losses. So I have decided that our project should have minimum losses so that our energy gained from the environment may also be small. To accomplish this I have decided on a purely mechanical, hydraulic concept that has no electrical or magnetic forces in the primary energy cycle.

Without drawing out the suspense too much further, the device will be a self-actuating water turbine powered by gravitational and centrifugal forces.

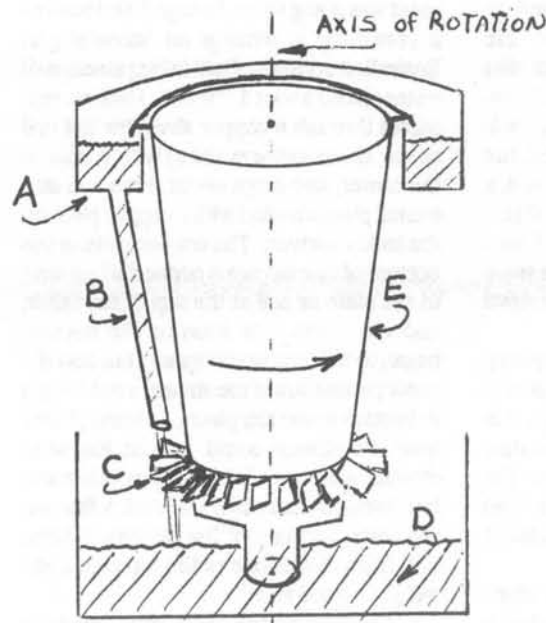
PRIMARY CONCEPT

I first encountered this concept in issue #8 of *ENERGY UNLIMITED* magazine edited by Walter Baumgartner. The device is called "The Messiah Machine" and is the invention of Al-Masih Daruish Al-Khoos, a Syrian man born in 1926.

The basic idea is pictured here in the top drawing. Water in an upper reservoir (A) falls in the gravity field through pipe (B) to turn turbine (C) and end up in the lower reservoir (D). The water is then returned to its former high potential by travelling up the inner surface of rotating cone (E) by the action of centrifugal force, moving from the lower reservoir (D) up to the upper reservoir (A) to start the cycle again.

No one has built a self-running device based on this concept that I know of. No patents were ever filed to my knowledge. The concept is in the public domain.

Since our project has obvious similarities to a classical perpetual motion machine, I have reproduced drawings of two of them, based on the endless waterwheel concept. Both drawings date back to 1618 and were the idea of an English physician named Robert Fludd. As you will notice, a waterwheel is used to convert the downward cycle of the water to mechanical motion in both designs. In the first drawing, the Archimede's screw is used on the upward cycle of the water, and in the second drawing, the water is raised in a tube containing a chain with wooden disks mounted on it. In both cases, mechanical work is required to raise the water against gravity since only gravity, friction and



THE MESSIAS MACHINE

convert the downward cycle of the water to mechanical motion in both designs. In the first drawing, the Archimede's screw is used on the upward cycle of the water, and in the second drawing, the water is raised in a tube containing a chain with wooden disks mounted on it. In both cases, mechanical work is required to raise the water against gravity since only gravity, friction and

mechanical efficiencies of the waterwheel are involved. Since gravity supplies all the energy gained in the fall of the water, simply reversing the process, minus frictional losses, represents no gain so that these systems cannot work.

In our design, gravity is used on the downward cycle to supply rotation of a turbine. Our return path, or upward cycle is what is of significance here. Rotation supplies us with a new force that we are going to harness. This force is centrifugal force. By rotating a conical surface, where the lower radius is shorter than the upper radius, we can harness centrifugal force to push the water back up along an inclined plane. This situation is fascinating to ponder. Since centrifugal forces increase with both the square of the speed of rotation and the radius, the force on the water at the top of the cone is even greater than at the bottom of the cone. This arrangement is capable of raising water to any height that is reasonably practicable. The only energy required to do this is the energy required to bring the rotating cone up to operating speed and that required to overcome the frictional losses to maintain that speed. Since the bulk of the energy is conserved in a flywheel action, and since mechanical force is not required to lift the water, the upward and downward flow of water should be able to mutually support each other to cause a continuous action.

"Energy" is defined as the ability to do work and "work" is defined as that which occurs when a "force" acts upon a "mass" to move it a certain "distance." The simplified formula for this is $W = F \times D$ or Work equals Force times Distance. No one will argue that I can produce a positive work output harnessing the falling gravity potential of the water with my turbine. Also no one should argue that I can produce a positive work output harnessing the rising centrifugal potential of the water moving on my rotating cone from a shorter radius to a longer radius.

Thus, two natural forces can be harnessed to produce work in our device where the fundamental motion is conserved and all we have to do is overcome the friction. The one moving part, an integrated turbine and rotating cone can be suspended in powerful permanent magnet powered magnetic bearings to reduce the rolling friction to near zero. The only losses then would be air friction against the cone and water friction where the

non-moving water meets the bottom of the rotating cone in the lower water reservoir. Since these water and air drag factors are pretty small, the main design parameters become: how high must the rotating cone be to produce a sufficient head of water to drive the turbine at operational speeds? Given some turbine efficiencies, the rest should be predictable by mathematical calculation.

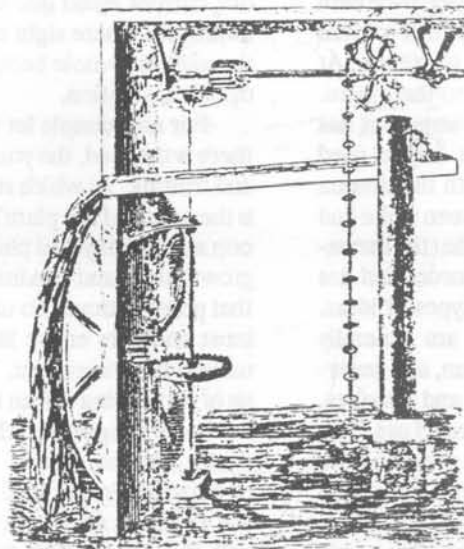
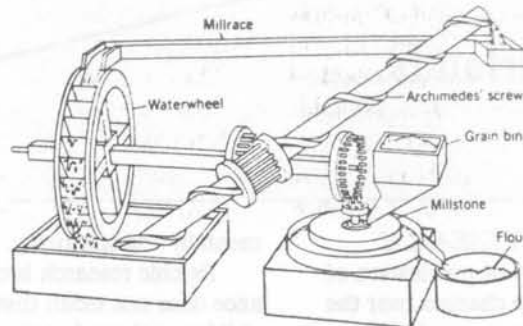
To get things started, I bought an 8" plastic funnel at a kitchen supply store and attached a small shaft to it so I could rotate it with my hand drill. With the help of a friend, a motor speed control, a strobe type tachometer and a bucket of water, I was ready to start.

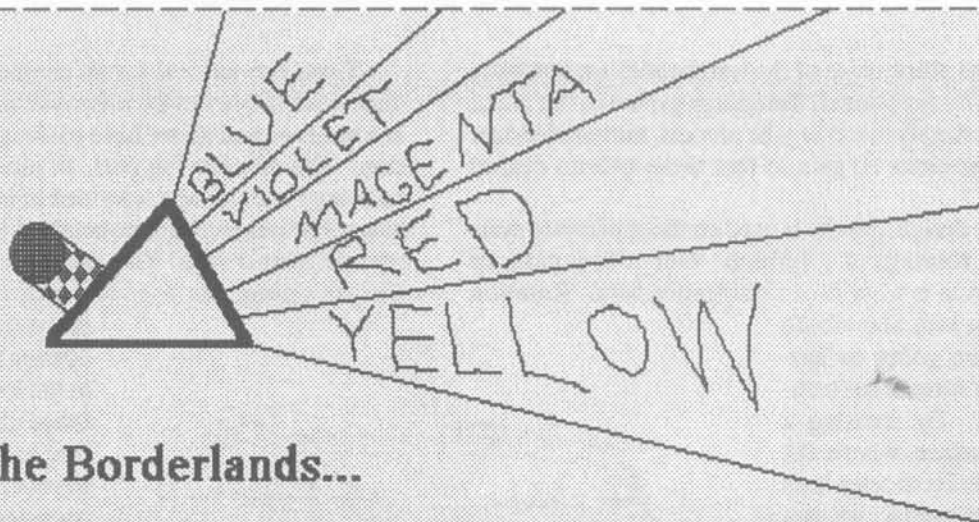
Rotating the funnel with its bottom immersed in the bucket of water, demonstrated the following effects. At 210 RPM, water began spilling over the top of the plastic funnel. The article in *ENERGY UNLIMITED* suggested that the surface texture of the rotating cone might also make a differ-

ence. So with that in mind, I lined the inside surface of my funnel with wet newspaper. Sure enough, the new arrangement had water spilling out the top at 170 RPM.

Next, we checked some flow rates. At 170 RPM, the rotating cone delivered 6 oz. of water to the top in 1 minute. Next, we increased the speed 50% to 255 RPM. At the new speed, the rotating cone delivered 18 oz. of water to the top in 1 minute, a 300% increase.

OK, that's enough. Now it's time for you to get wet.....I mean involved. Borderland hosts its First International Congress in June 1990, I'd love to see a working model there from one of our associates. Let's get busy!





VIEW From The Borderlands...

By Tom Brown

THE FUTURE OF BORDERLAND RESEARCH

This issue marks the 45th anniversary of publication of this Journal! It has gone through definite changes over the years, both in physical make-up and in philosophy of content. Both are inevitable to a growing organism, and while the physical production techniques must strive to keep pace with the times, the underlying drive for materials in this journal must be ahead of, and strive to set, the pace of the times. At 45 our organization looks not to the past, but to the future.

The term "borderland" is used in several ways, but has one main definition in our context. Meade Layne used borderland to designate the area of contact with the unseen spiritual forces. Color forms on the border between white and black when viewed through a prism, indicating that the formation of color is a borderland phenomenon. Borderland has also been used to designate "fringe science" types of ideas. Fringe science is oriented toward ideas that are generally incapable of being understood by the mainstream, and generally works with unseen and unknown energies and activities. This is in accord with the main contextual definition I use. The border we speak of is the border which separates the seen from the unseen, the ponderable from the imponderable, the physical from the spiritual, the known from the unknown.

We have borders above to the cosmos and borders below going into the earth. These have been probed for millennia with the imagination, but have only been probed in the physical over the last few decades through great efforts of technology. Our rockets into space have begun to cross the physical barriers to our environment on the surface of this planet, and this may have severe consequences which are yet to be realized. Drilling probes into the deep earth have been done in various places on this globe, but going down deep into dense matter is a bit harder than going up. Of course the caverns of the world offer deep world entrances, and the lore of caves leaves us with many mysteries of the unknown.

CROSSING THE BORDERS

So in borderland research these borders can be crossed, and what is beyond them perceived, in many ways, physically,

mentally and spiritually.

Psychic research is one direction. Developing clairvoyance does not mean that one can "see" things which are not visible to others, but they are able to see that which is before their very eyes without the conceptual blockages inherent in our current *status quo* consciousness. It is a higher state of awareness where sight comes through not only the eyes but through the whole being through the activities of the developed imagination.

For an example let us consider plant life. In most cases there is the seed, the young stages of the leaves, the flowering and fruiting. At which stage can you say "this is the plant, this is the whole of the plant?" The plant is a temporal phenomenon and the physical plant we see on any given day shows the growth state and condition of the temporal being behind it at that point in time. To understand the whole of the plant one must study its entire life cycle and its interactions with its universal environment. When one can see the metamorphosis of form being driven by the flow of cosmic events then one can begin to approach the basic understandings of the etheric world, for the etheric world is a temporal one. So our clairvoyance in this field is not one of seeing something that is not visible to all, but in seeing what is truly there to anyone with the insight. This type of sight comes through thorough observation of, and contemplation on, natural phenomena with the use of the imagination and intuition. Directly related to this higher sense of seeing is the visual ray experiments such as are given in *MAN OR MATTER* and *COSMIC PULSE OF LIFE*.

For many years borderland researchers used mediumship to obtain answers from the beyond. Meade Layne relied heavily on the information gained from the "Inner Circle", a group of disembodied entities channelled through Mark Probert. In those early days of Borderland Sciences the use of mediums was not as it is today. Meade Layne and others would go to the Inner Circle to ask questions and bounce ideas around. They were probing and questioning. Riley Crabb built on much of this material to pursue research into the occult connections of the flying saucer mysteries.

Today people go to channels to relieve themselves of responsibility for their future. They allow their spiritual growth to be determined by disembodied souls, entities whose general story seems to be, "I am here to help you, let me take over your mind and speak through your lips (and dig in your wallet!)." Some help! This is not really a pathway to higher states of consciousness, though it is a pathway across the borderlands.

RIGHT IDEA – WRONG DIRECTION

But clairvoyance, without proper orientation in the universe, can lead one to pursue false paths. A classic example of this is the occult chemistry of Theosophist Charles Leadbeater. Leadbeater was able to discern the atomic and subatomic structures of elemental matter through his clairvoyant vision—he would isolate an element from nature, slow down its activity psychokinetically, and view its structure. Modern research with high energy accelerators has shown Leadbeater to be on cue, and there can be no doubt that he had deep insight, but his orientation was that of modern science in these researches and that orientation has left us with a world full of problems. What is interesting is the polarity of action against nature present in these thoughts. Leadbeater, with his internal volitional force, slowed down the materials and the modern scientists, with their electrically driven atom smashers, speed the matter up.

Rudolf Steiner had several pertinent comments about this orientation:

"Spiritual Science always tries to look into the effects of living things on a *large* scale. It does not pry into the minute and microscopic, for that is not the most important. It does not primarily concern itself with the conclusions which are drawn from the minute—from microscopical investigations. To observe the macrocosmic—the wide circumference of Nature's workings—that is the task of Spiritual Science. But we must first know how to penetrate into these wider workings of Nature."¹

"What does science do nowadays? It takes a little plate and lays a preparation on it, carefully separates it off and peers into it, shutting off on every side whatever might be working into it. We call it a 'microscope.' It is the very opposite of what we should do to gain a relationship to the wide spaces. No longer content to shut ourselves off in a room, we shut ourselves off in this microscope-tube from all the glory of the world. Nothing must now remain but what we focus in our field of vision. By and by it has come to this: scientists always have recourse, more or less, to their microscope. We, however, must find our way out again into the macrocosm. Then we shall once more begin to understand Nature—and other things too."¹

THE WONDROUS ELECTRICAL FORCES

Electrical research is another area of prime borderland research. While the term "occult" puts many people off, it

should be realized that electricity is an occult force whose effects we only see when equipment is properly engineered. Four to five hundred years ago one would probably be burned at the stake if it would have been possible for them to demonstrate electrical devices.

Electricity is considered by some to be a degraded form of the Light Ether, that the etheric force gets bound up in matter in a way that it can be used. But being bound up in matter it provides mankind with the option of using it properly or improperly. Many articles on the detrimental effects of electric fields have been published, and more studies are no doubt underway on this important topic. There are also some records of electro-therapeutic devices that used this force for healing. Tesla envisioned a worldwide electrical power system and did the basic testing to show himself that it was viable, and needed but to be built. Tesla was a man of great intellect and was a reader of Goethe and other great minds. One would feel that he was in some way familiar with Goethe's *Farbenlehre* (color theory). The type of electricity being sent around our globe on wires is of a different, lower form than that of Tesla's transmission of electricity without wires. It is quite possible that Tesla's electricity was of a beneficial nature. Tesla did research into electro-therapeutics and was no doubt aware of both beneficial and detrimental effects. With the power system he envisioned on line we may not have ended up with the electrical problem we are just beginning to see the "tip of the iceberg" of.

This point needs clarification and elaboration beyond what most people now imagine. We periodically mention certain aspects of Dr. Lilly Kolisko's experiments with the crystallization of metallic salts rising *contra* gravity. These experiments were done to establish whether or not the planets had any direct connection to the metals as alchemical lore supposed.

The connections they investigated are Gold-Sun, Silver-Moon, Mercury-Mercury, Copper-Venus, Iron-Mars, Tin-Jupiter, Lead-Saturn. For example Dr. Kolisko would take a gold chloride solution (1%) and allow a portion of it in a laboratory dish to *climb* a segment of blotter paper. As it dried the fine details of crystalline form could be seen. After many experiments the characteristic form of each metal's salt could be understood. It was scientifically established that the actions of cosmic bodies would have direct effects upon the crystallizing actions in the lab. Gold chloride would not crystallize properly during several solar eclipses that Dr. Kolisko reported on (1927, 1947). A darkening effect was noticed on these slides.

Just recently I came across this in the recollections of Dr. Rudolf Hauschka, founder of Wala Pharmaceuticals: "In the course of researches into the delicate changes in matter which are revealed in the capillary-dynamic method, an alarming symptom came to the fore. At one of the Easter conferences of the Anthroposophical Doctors' Working Group in Comburg in 1964, Frau Kolisko, the past-master of the capillary-dynamic method, spoke on 'Gold and the Signs of the Times.' In earlier years she had demonstrated by means of the *Steigbild* (literally rising pictures, also known as chromatograms) the connections between the metals and the planets, and in

1. AGRICULTURE – A Course of Eight Lectures by Rudolf Steiner, Given at Koberwitz, Silesia, June 7-16, 1924, Bio-Dynamic Association, London, 1958

particular the effect on gold of an eclipse of the sun. During an eclipse of the sun the gold *Steigbild* which normally glows with beautiful colors, shows a darkening and the emergence of grey formations. Frau Kolisko now showed a series of gold *Steigbild* produced in the last years almost hourly and at all times of the day and of the year. Without exception all of them showed the same sinister dark formations which had appeared earlier, in the first half of the century, only at the time of a sun eclipse. She closed her lecture with a question to the doctors, namely whether, considering the change now in gold, they could still be answerable for its use as a medicine. There was no doubt about it: since the middle of the century gold had become different — it was sick. Or, to express it differently, the connection between the spheres of the sun which stream down and the metal which they permeate is disturbed.”

**ELECTRICITY:
THE MAIN CULPRIT**

The main culprit in this sickness of earthly matter is none other than the electrical environment that has manifested on this planet. Certainly there were radio communications going during Dr. Kolisko's early experiments, but as this chart from Trevor Constable's *COSMIC PULSE OF LIFE* shows, the post WWII environment was heavy with these signals, culminating in today's total saturation point. Imagine what the *Steigbild* would have shown in previous centuries before the electrical force began its manifestation.

Nuclear proliferation must also be considered as adding to this phenomenon, but electricity is the degraded form of the light ether, whose source the sun is related to gold. Walter Russell, in *ATOMIC SUICIDE*, indicates that the spread of nuclear energy will destroy the atmosphere surrounding this planet and now scientists are scratching their heads as the hole in the planetary ozone layer gets larger. (Of course chlorofluorocarbons and New Zealand sheep farts have all been blamed for the ozone depletion, but nuclear energy is the primary cause.) This atmospheric destruction could well aid in cutting off gold from its cosmic wellspring of life.

Rudolf Steiner had many insights into the true nature of electricity, its relationship to humanity and its role in our future. Pertinent to the matter at hand let us consider the following remarks, a portion of his answer to a question about

2. AT THE DAWN OF A NEW AGE by Rudolf Hauschka, Steiner Book Center, N. Vancouver, Canada, 1985

electrical treatment of animal fodder:

“You must consider the whole part played by electricity in Nature. ...to the effect that human beings cannot go on developing in the same way in an atmosphere permeated on all sides by electric currents and radiations. It has an influence on the whole development of man. This is quite true; man's inner life will become different if these things are carried as far as is now intended. It makes a difference whether you simply supply a certain district with steam-engines or electrify the railway lines. Steam works more consciously, whereas electricity has

an appallingly unconscious influence; people simply do not know where certain things are coming from. Without a doubt there is a trend of evolution in the following direction. Consider how electricity is now being used above the earth as radiant and as conducted electricity, to carry the news as quickly as possible from one place to another. This life of men in the midst of electricity, notably radiant electricity, will presently affect them in such a way that they will no longer be able to understand the news which they receive so rapidly. The effect is to damp down their intelligence. Such effects are already to be seen today. Even today you can notice how people understand the things that come to them with far greater difficulty than they did a few decades ago.

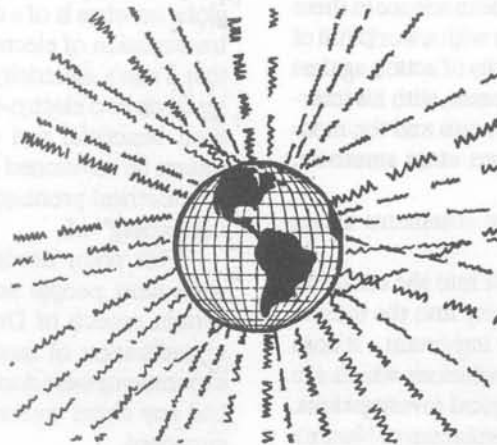
“It is a remarkable fact that whenever something new appears, as a rule in the early stages it is heralded as a remedy—a means of healing. Then the prophets get

hold of it. It is strange, where a new thing appears, clairvoyant perception is often reduced to a very human level! Here is a man who makes all sorts of prophecies about the healing powers of electricity, where no such thing would previously have occurred to him. Things become fashionable! No one was able to imagine healing people by electricity so long as electricity was not there. Now—not because it is there, but because it has become the fashion—now it is suddenly proclaimed as a means of healing. Electricity—applied as radiant electricity—is often no more a means of healing than it would be to take tiny little needles and prick the patient all over with them. It is not the electricity—it is the shock that has the healing effect.

“Now you must not forget that electricity always works on the higher organization, the head-organization both of man and animal; and correspondingly, on the root-organization in the plant. It works very strongly there. If... you pour electricity through the foodstuffs—you create foodstuffs which will gradually cause the animal that feeds on them to grow sclerotic. It



PLANET EARTH—PRE-RADAR



PLANET EARTH—POST-RADAR

Entire planetary environment permeated with pulsed electromagnetic radiation—an unprecedented condition.

is a slow process; it will not be observed at once. Electricity will not at first be recognized as the cause; it will be ascribed to all manner of other things.

"Electricity, once and for all, is not intended to work into the realm of the living—it is not meant to help living things especially; it cannot do so. You must know that electricity is at a lower level than that of living things."³

How pertinent and timely these words are today on many levels of borderland research. Electrical/electronic medicine has the glamorous position on stage at most of the conferences, and in many people's minds, in today's 'borderland' field. People are racing to buy instruments which are designed by electronic engineers with little or no training in the comprehensive constitution of humans. *It is the fashion!* There is no consideration that true healing comes from the spiritual realms, that the spirit is always healthy, and that dis-ease comes from a condition where the various subtle levels of the body are not aligned properly with the physical.

These electrical instruments have the potential to work on many people to treat symptoms. But what of the long term effects of the subsensible electric current? Considering the alarming state of affairs viewed through the information just presented I pose the question to the reader, "Do you prefer the natural or the unnatural forms of treatment?" Many people flock to electronic medicine because they feel that the petro-chemical drugs that are prescribed by the medical establishment are detrimental to their long term health. Very possibly so, but will electricity be any better? What about your own vital energy and its relation to cosmic life forces?

Electrical stimulation of the body treats a symptom and fails to allow for the body's natural healing process. As electricity is an externalized part of humanity's inner volitional force we can see that there will be definite effects from the subsensible current. But the effects will be relative and the inner healing process put on secondary mode. Electrotherapy, while emerging as a viable medicine of the future, still ignores the natural healing process.

This does not mean that we should not research electrotherapy. In what may seem a contradiction to many readers, I am 100% for further research into this area. It will no doubt be of benefit to many. Our relationship with electricity is one of the greatest questions of our time. People unconsciously use this force, and the results are such as those noted by Lilly Kolisko.

OUR BUDDIES EEMAN AND REICH

The researches of Leon E. Eeman and Wilhelm Reich provide a solid ground for research into balancing and aligning the human vital force with the physical body. Eeman worked with connecting opposite polarities of the body in order to overcome and get around energetic blockages. Dr. Reich worked with an innovative technique of therapy and massage that he developed in order to 'unarmor' the human, release the blockages. Dr. Reich also developed the orgone accumulator, based on his discovery of a mass-free atmospheric life energy. The use of Dr. Reich's orgone accumulators was not

recommended around electrical appliances, fluorescent lights, X-ray tubes and the like because they were life-negative. In light of Dr. Lilly Kolisko's forboding discovery of the status of gold we must reconsider the wide-scale usage of orgone accumulators. They concentrate the energy that is there, and we must consider its current status.

L.E. Eeman did many experiments with 'substance circuits', that is circuits of wire connecting polarities of the body in which substances are inserted. J. Cecil Maby, who participated in many of Eeman's experiments, insisted on using a high-frequency coil in the circuit. Eeman relented, and could identify the substances — they *were* coming through the electrified circuit — but he got much clearer and stronger indications from the simple copper wire circuits he developed.

THE SQUARE AND THE CIRCLE

With our present world condition in mind we must consider the appropriate individual paths to take in researching the borderlands. The ancient cultures of this planet were in tune with the cosmic forces as well as the earthly forces. Our present culture has cut off the cosmic forces, as is ominously evident in Lilly Kolisko's 1964 report, and has twisted its use of the earthly forces — merely taking what it wants with no allowance for the renewal of the planetary life force.

So the square has taken over and the circle made subservient. Modern architecture shows the square overtly, with happenstance circles not tied in according to the old canons of measure. Ancient architecture built in harmony with earth and sky and this is now being used in our present world by a scant few aware souls. The circle and the square must be in harmony as polar opposites, rhythmically carrying living forces, and not in conflict with each other as in our present situation.

So in borderland research we must again strive to reconnect with the cosmic bearings which bring the constant renewal of life and the intellectual impulses of a higher order. This can be done through many means and this Journal is in existence as a medium of exchange for these manifold ideas.

Ancient cultures have left us many mysteries and these must be investigated to allow our developed imagination to build a complete world picture. Energy researches must be carried on to investigate the beneficial and detrimental effects of the electrical forces on one hand, and the development and use of equipment that will tap the higher forces on the other. Tied in directly with that are the conceptions of electrotherapy, but we must consider that research important but secondary to research into the subtle energies such as radionics, homeopathy, radiesthesia and dowsing. Plant metamorphosis must be studied as an overall key to the etheric sciences. UFOs, the perichoresis of our modern world view, must be looked at from many angles, keeping in mind that they are phenomena on the horizon line of our sensory capacities.

And thus Borderland Sciences Research Foundation moves into the future. With our feet on the earth, and our eyes toward the cosmos we ask you to think for yourself and attempt the same. This work requires one great task, the complete reorientation and continued growth of your world view. Those who are capable of going in that direction are ready for advancement. And it is for them that this Journal exists.

3. see footnote 1

B.S.R.F. BULLETIN BOARD

The B.S.R.F. Bulletin Board is a section for Letters, Reviews, Events, Contacts & other useful information for Borderland Members to aid in their researches. We encourage BSRF Members to submit contributions & information to B.S.R.F. Bulletin Board, PO Box 429, Garberville CA 95440. Letters should be addressed to LETTERS TO THE EDITOR, c/o the above address.

LETTERS

BREAD FROM STONES

"First I must express my deepest gratitude for your very, very precious Journal! Every issue has something new and interesting. I am sorry not being able to send money, your magazine is fully worthy thereof.

"Secondly, I would inform you that the article *BREAD FROM STONES* has fascinated me and my acquaintance whom I translated this article for. He is an agriculture specialist, is industrially growing useful earthworms for making humus and is very interested in all other modern methods of improving agriculture.

"This information on stone fertilization is so important because it can cause a true revolution in agriculture, especially here in Poland. therefore we both are asking you to help us kindly as you can in following matters: (because you are so widely oriented in all matters as it is seen from your articles *View from the Borderlands*):

1) where can one buy:

- a) the full edition of *BREAD FROM STONES*?
- b) Samson Morgan's book *CLEAN CULTURE*?

2) where can one get more information on earthworm growing for industrial purposes, is there any literature on the subject?

3) What are sources of 'Natural Agriculture', Viktor Schauberg's methods, etc., etc.

4) Perhaps Mr. Raymond Bernard could kindly contact me thereon and on more in modern agriculture methods.

5) Are there any international meetings on earthworms growing and similar matters?

"Please understand, that my acquaintance, Mr. Wilk, can become an initiator and pioneer of such revolutionary methods in Poland through this Stone Meal fertilizer because he wants to make at once practical experiments thereon and inform the whole country about his results. So do not hesitate to help him as possibly you can.

"With great gratitude, reverence for your total informational activity and Love,"

Bohdan Spolitakiewicz
Sopot, Poland

It naturally makes us feel very good here that the information that we are putting out is being taken and put immediately to use. We wish you and your fellow workers many blessings, as we see on the "news" here the many changes sweeping central Europe. A revolution in agriculture is necessary worldwide, and rock dust remineralization is a vital key. I would also recommend that you check into European sources for Bio-Dynamic farming information, as it can be used in complete harmony with the stone meal fertilizer, and is really an all inclusive method of running a farm organism. Bio-

Dynamic compost draws many earthworms from the earth into its activity sphere.

Also, Walter & Rhetta Baumgartner of Energy Unlimited are actively pursuing Schauberg's agricultural methods and are presenting them in their workshops and their newsletter *CAUSES*. Perhaps you could find further sources in Europe. We hear that *LIVING WATER*, an excellent book about Schauberg, is being reworked for a new edition.

I don't have any current information on earthworms, but some of our readers may have that information and will send it in so it can be printed in future journals.

BREAD FROM STONES and *CLEAN CULTURE* are published by Health Research, PO Box 70, Mokelumne Hill, California, 95245, and are also available through BSRF. Raymond Bernard has been dead many years, I don't recall the exact story now. It was through the tremendous work of Dr. R.G. Wilborn of Health Research that his works, as well as many others, have remained available for researchers.

ASTROSONICS

"After reading your articles about Michael Heleus' Astrosonics work, I decided to consult with him and see what his system was all about. My first conversation on the phone turned out to be very interesting. He played a couple of tones over the phone and I began to feel some very strong sensations in my body. The first sensation I felt was a strong energetic feeling that pulsed through my legs. I also had a pressure build up inside my head and Michael instructed me to listen to the tone and the feeling released. This initial contact impressed me so much that I decided to start the Astrosonics personalized program.

"The first tape that Michael sent me related to astrological sextiles and trines that were present in my horoscope. After using this tape several days I began to experience quite a bit of light that appeared in my meditations and whenever else I closed my eyes. This light was not there previous to using the tapes. I also began to have quite a few body sensations come up while using the tapes. There were several types of sensations, a light tingling on the surface of the body, a muscle twitching in various parts of the body, contraction and release of large muscles in the body and sometimes sharp and dull painful sensations would arise. Michael Heleus had instructed me to just keep my attention on the sensations while listening to the tape and usually within a short period of time the sensations would stop. My interpretation of these feelings in that the tapes stimulate energy in the body and also cause the body to release tension, trauma and stored blocks held within the body caused by both physical and psychological problems.

"The Astrosonics tapes also appear to me to duplicate a couple of the inner sounds that the *shakti* yoga system (yoga of light and sound) trains its practitioners to hear while meditat-

ing. These sounds are quite unusual and I have never heard them reproduced in the outer world. My experience with this yoga system is limited and Astrosonics may produce a whole variety of these inner sounds. I am also experiencing a shift in attitude regarding some of the issues that are in my life. These so far are subtle shifts and I will need more time to evaluate them as I have been using the tapes just several months. I can't quite tell exactly what is happening but I do know that something is changing psychologically for me.

"I have explored quite a few systems of transformation from therapy to different yoga systems and other types of healing. So far I have found Astrosonics to be one of the most powerful and innovative tools that I have been able to experience. It is still too early for me to evaluate all of the benefits of Astrosonics and I am really looking forward to experimenting with Michael Heleus' work in the future. Thank you for presenting his work in *The Journal of Borderland Research*." Sincerely, Mike Mohoric, Reno, Nevada

It is always good to get feedback on the materials we present. I feel that Michael Heleus has done some very important work, and that is why it appeared in this Journal. We have also received other reports from people who have contacted Michael. One person told me that during his first phone conversation some of the tones were played. That person had a spontaneous out-of-the-body experience! I myself have had some interesting, and lengthy, talks with Michael, and the tones definitely produce unexpected and interesting effects. BSRF sells a video on ASTROSONICS and Michael Heleus can be contacted directly at: 160 Washington SE #167, Albuquerque NM 87108, (505) 865-3169.

RECEIVED

This is a list of materials received for review. BSRF members who would like to do longer reviews of these can contact BSRF for more information.

* **ELSEWHEN**, The Official Newsletter of the Temporal Anomaly Research Association, PO Box 20173, Keizer, OR 97307-1073. We've received the introductory issue and while the first is small it looks promising and very interesting. A partial list of the subjects to be covered are: Time Travel & Time Warps; Lake Monsters & Sea Serpents; Bigfoot; Cryptozoological Specimens; Ghosts; Vampires; UFO's and USO's; Lost Civilizations & Technologies; Mystery Spots & Vortices; Out-of-place Artifacts; Impossible Fossils; Spontaneous Human Combustion; Scandals & conspiracies; Survival of Dinosaurs; and!! Looks good. \$6/year (4 issues) in US; \$8/year in Canada; \$10/year elsewhere, I mean elsewhere.

* **THE ORGONE ACCUMULATOR HANDBOOK** by James DeMeo, from Natural Energy Works, PO Box 864, El Cerrito, CA 94530, ISBN 0-9621855-0-7, \$10.95. This well done little book is probably the best book readily available for people interested in researching orgone accumulators, devices developed by Wilhelm Reich, and their effects. This new edition has a very brief forward by Eva Reich and an author's preface. In the preface and on the advertising mailers Jim states that "In a court decision unique in American history, his (Wilhelm

Reich's) books were ordered burned by the U.S. Federal government in 1957". This decision was not unique because about a decade earlier the books and equipment of Dinshah Pestanji Ghadiali were ordered burned by the courts. The bulk of this book is excellent material covering a wide range of information. The discovery of orgone energy and its relation to other unusual energies discovered by scientists are covered, especially the work of Dayton Miller who showed that the Michelson-Morely experiments, rather than denying the existence of an ether, actually led to the discovery of a dynamic ether with effects in harmony with Dr. Reich's findings on the orgone. This is followed by a lengthy section on the safe and effective use of orgone accumulating devices. The third section is full of plans on how to construct various orgone accumulators, boxes, blankets and related tools. There is an extensive bibliography and an Appendix "The Psycho-Physiological Effects of the Reich Orgone Energy Accumulator" by Stefan Mushenich and Rainer Gebauer. All in all, an excellent handbook for the orgone researcher.

* **Advanced ELF Research**, Box 1552, Alberta, Canada T4V 2N1, has sent us two titles, *THE 3 KEYS TO GOOD HEALTH*, and *THE DIVINING ROD AND I*, both written by Albert L. Wilk. The 3 Keys in the first book are: 1. Avoid internal medications; 2. Make anything you eat or drink wholesome; 3. Shield yourself from unhealthy environments. This is a serious title covering many facets of health, and how our environment can interfere. It also covers magnetic and electric healing research, as well as many unorthodox medical practices from radionics to Christian Science, and has reports on diseases which may potentially respond to extreme low frequency waves.

The second title, *THE DIVINING ROD AND I*, covers a wide range of scientifically oriented dowsing information on how to find underground water, petroleum, natural gas, and geopathic zones. It takes a very serious view of the relationship between geologists and water diviners, with research information in support of the dowsing reactions. Both these books look like well done research reports and should be checked into by those with interests in these fields. \$16 each, US or Canadian.

* **EARTH RADIATION** by Kathe Bachler, The Startling Discoveries of a Dowser on more than 3000 apartments, houses, and work places. ISBN 0951415107. "New advances in the causation of cancer, allergies, arthritis, learning difficulties and many other diseases." A thorough and well illustrated book on the recognition and correction of geopathic disturbances of sleep, health, and school performance. This is the most comprehensive book that I've seen on the subject. It even has a note "For Christians Troubled by the Ethics of Dowsing" by the Archbishop of Salzburg in which we are told it's all OK as long as we pray. Published by WORDMASTERS, Parkfield House, Parkfield Road South, Didsbury, Manchester M20 0DB, U.K.; and is available through and was submitted by Ilse Pope, 1 Gary Close, Romford, Essex, RM1 4AE, U.K., British price is listed as 6.95 Pounds, U.S. price unknown.

* **ALLERGIES AND CANDIDA With The Physicist's Rapid Solution** by Steven Rochlitz, From Human Ecology Balancing Sciences, PO Box 1134, Setauket, NY 11733, (516) 467-6184; ISBN 0-945262-26-4, \$19.95. The press release says that the author was allergic to the 20th Century. This book, one of several he has written, covers many of the techniques he developed to heal himself. Covers allergies & the immune system; diabetes & allergy; food addictions & allergy; Candida, Epstein-Barr, Chronic Fatigue; biofeedback & kinesiology; brain hemisphere integration; heart integration; energy balancing and ecological nutrition; and more. It even covers weather sensitivity, a cause of much human suffering that is completely ignored everywhere. Glad to see this information getting out. Very comprehensive with appendices and resource listings.

* **TAI CHI CHIH! - Joy Through Movement**, taught by Justin Stone, from Satori Resources, PO Box 397, Santa Barbara, CA 93102, (805) 687-8737. We received both a video (\$39.95) and a book (\$10.95) with this title. It is a simplified and easy to use form of exercise based on T'ai Chi, designed that all—even the elderly—could use it. This form uses 20 basic movements, all of them designed for easy learning and use, to teach one to contact their own force and strengthen their body, aid in better balance, and allow general improvement in your life. Practices such as these are excellent for stress reduction, and weight and blood pressure control. For people interested in the internal arts but find many of the systems quite complex, this will come as a welcome practice. Definitely worth checking out.

CONTACTS

This is the section where researchers may contact those of like mind or seek out sources of information. We also list various mailers received. Please be kind and considerate and send a buck or two when writing for information.

* **SOUTHERN EXPOSURE SEED EXCHANGE**, PO Box 158, North Garden, VA 22959. Source for over 365 varieties of Heirloom and traditional vegetables; medicinal, culinary, and ornamental herbs, sunflowers and old fashioned flowers; heirloom fruit trees and shrubs; cultural and historical information; seed saving information and supplies; and a planting calendar... all in their \$3 catalog.

* *et al*, The Newsletter of Pemberly Kent Publishers, 2121 Garfield Avenue, Salt Lake City, Utah 84108-9908. This paper has been keeping us updated on the progress of *DISTANT VISION - Romance & Discovery on an Invisible Frontier* by Elma Gardner Farnsworth. This book is the story of the inventor of electronic television, Philo Taylor Farnsworth II, who has somehow not made it into the history books. Farnsworth was as important as Tesla in developing our modern technology, and was just as ignored by the establishment. This book should become extremely popular among energy researchers, as well as people who like a good, exciting story. It will certainly help set the historical record straight and let people know about some fascinating researches. The book,

slightly overdue, is now complete and is going through pre-printing proofreading. Reservations for Collectors Editions are still being taken, as well as advance orders for the regular edition. This group deserves your support, not only for the excellent information they are about to put out, but for the lifetime of dedication to a family ideal that has gone into its production. Send a couple \$ to get the latest issue of *et al*.

* **The Aeolian Outlook**, c/- Dennis Klocek, 4736 Martsmith Way, Fair Oaks, CA 95628. The *Aeolian Outlook* is a publication that is designed to promote thoughtful interaction between a subscriber and the daily weather map found in the newspaper. Each monthly chart depicts the north American continent analyzed on a weekly basis. Each week the predicted highs and lows are projected onto the map by astroclimatological projection. This technique utilizes planetary data such as declination, latitude, right ascension and rising and setting times to project curves into areas of possible weather disturbances. On the chart these are rendered as circles with low (L) or high (H) designations. Lows are tracked with arrows to a point of landfall. Highs that could become stationary, and therefore blocking, are factored into the tracking information on the right side of the chart. Lows seeking a landfall must contend with blocking highs that steer the jet stream north or south of a particular latitude.

The west to east flow of fronts across the Pacific Ocean has been a statistically satisfying feature of the Aeolian Outlook. The north to south oscillation of the jet streams has proven to be a more elusive goal. Earthquakes and solar flares can radically alter jet stream patterns overnight into completely opposite flows. This makes prediction a sometimes frustrating task.

The purpose of the Aeolian Outlook is to provide a reasonable celestial based model which can initiate broader dialog concerning these problems. To this end each monthly chart will be followed up by another chart which will depict the actual patterns and tracking information for the month. This update will note correct predictions and analyze pattern shifts from an astroclimatological point of view. Historical evidence will be brought forward to shed light on the diverse influences, both terrestrial, and celestial, which modify atmospheric patterns over the Pacific Ocean and over the North American continent.

The *Aeolian Outlook* is intended to introduce a subscriber to the daily flow of prediction/reflection/new prediction that is the way to a future star based climatology that is rooted in the rigor of mathematics, but is equipped to track the chaotic systems surrounding weather phenomena as they move through their fluid changes. Each year these methods yield deeper and more accurate insights into the relationships between celestial motion and the nonlinear chaos of the weather. It is hoped that you would consider joining the others who are on this adventure of discovery.

Aeolus was the Greek god of the winds. His priests and priestesses predicted future events by observing the winds and their ever shifting patterns. The *Aeolian Outlook* is published in the spirit of these ancient mysteries but rests upon the tremendous astronomical and mathematical advances of the

modern mystery schools. Please consider taking a positive step in order to get to know your rapidly changing world at another level where star wisdom streams into the very air around us. The price for six months of the *Aeolian Outlook* and the *Aeolian Update* is \$40.

* **Tom Elliott**, 4002 Stearns Hill Road, Waltham, MA 02154, (617) 647-2825. Tom is writing a book on UFO encounters and is looking to contact people who have had such contacts. He is looking for relatively unpublicized cases which involve sober, reliable witnesses and which may have some unique "twist" to them. Tom's qualifications include 30 years as a science writer, producer of *Personal Perspectives*, a weekly TV series highlighting unconventional people, beliefs, and experiences.

* **FUTURE TECHNOLOGY INTELLIGENCE REPORT**, Suite 9, 184 Paloma Avenue, Pacifica, CA 94404, (415) 359-8002, published by J. Porter Weldon and edited by Antony C. Sutton. FTIR announces that it will begin publication of a unique newsletter on January 1, 1990. The FTIR will cover much of the underground energy and scientific network and make this information available to those who need to keep informed. Some of the subjects listed to be covered are: Weather Control; Over-Unity Electrical Generation; Natural Healing; Acoustical Levitation; Creation of Life Forms; and, Implosion Vortex Energy *a la* Schauburger. Looks to be a comprehensive source for information. \$250/year (12 issues); \$350 overseas airmail.

* **SEARCH FOR HEALTH** from Associated Partners West, PO Box 3048, Iowa City, IA 52244. This newspaper/catalog covers many aspects of our modern world's poor health, such as constipation and toxic overload, and offers many health-promoting products such as oxygen enhancers, acidophilus, and trace mineral supplements. Also is a source for real salt (not the kind in the stores), stone mills, air purifiers, and more. Excellent article on Medical Ozone. Whether you are looking to buy or not, this is a well researched and highly informative paper. Get on their list.

* **SOLAR AGE or ICE AGE? BULLETIN** from Hamaker-Weaver Publishers, Box 1961, Burlingame, CA 94010, (415) 347-9693. This latest issue is over 350 pages! Extensively covers and updates information, first brought out in John Hamaker's *THE SURVIVAL OF CIVILIZATION*, on soil remineralization with rock dust. Among the mass of data this bulletin contains criticisms of the coming ice age theory with direct answers. Also has many pertinent newsclips and articles from worldwide sources and data on reforestation, biomass energy/alcohol fuels; worldwide starving; and more. Suggested donation is \$10, but I would suggest that people send in as much as they can to these people. \$100 will send 10 issues to people of your choice. Editor Don Weaver is doing an excellent job, certainly a labor of love for this planet.

SPECIAL ANNOUNCEMENT

Change in ordering procedures

Borderland Sciences Research Foundation is a non-profit educational foundation. We take our work quite seriously

here and feel that service comes above our personal gain. However, certain needs of life cannot be neglected and we have come to a point of necessary change in the way that we do business.

When Riley Crabb retired in 1985 and turned BSRF over to Alison and myself we actively pursued researching and publishing more materials. We wanted to create an information service for BSRF members and thought it would help to make items available at a discount, that is, where books could be purchased through the mails for less than they could be had in a store. In concept this has worked very well. We sell many books at a discount. In reality, after four years, we find that this type of service, with the amount of business we do, does not allow for proper maintenance of the foundation. The business itself, intended as a fund-raiser for the foundation, has turned into a break-even workload that absorbs over 90% of our time, to the definite detriment of the research work we wish to pursue, and also to life in general.

After a thorough analysis of our situation we have come to the point where we must end the discount service on the books. It is that or end the business — it simply cannot carry on as it is.

There are so many quality books from around the planet that we wish to make available to our members, but we cannot proceed to even keep the basics in regular stock with our current business status.

BSRF carries a unique line of research materials, much of which is not available anywhere else, and we wish to keep this line of information open and expanding. We appreciate your understanding of this situation and we apologize for any inconvenience this may cause you.

There are many positive changes that will occur as we gain a better financial stance in our business — more titles in print, upgrading the quality of service, upgrading the quality of the *Journal*, etc. We are of course always working on these aspects, but change must come to facilitate their proper flowering.

The amount of work here demands more time than we have available. Filing of information is *years* behind, with many incredible files stacked everywhere in boxes and on shelves, 20+ boxes rotting in a shed. Filing cabinets and book shelves are needed. We have the core materials for a tremendous information and research library and file, but money is definitely needed to continue to put this together and maintain it as a service to researchers. Donations go directly into our working fund and are used for the benefit of the foundation. We thank those who have helped us in the past, and we look to those who are interested in helping in the future.

CHANGE IN MEMBERSHIP FEES

The general BSRF membership fee has been raised to \$25/year. We have also added a senior citizen (over 65) and student (proof of status required) rate of \$15. Supporting membership remains at \$50; Sustaining membership is \$100; and Life is \$1000. Your membership fee gets you *The Journal of Borderland Research*, and keeps the lamps (and furnaces) lit at headquarters.



P.O. BOX 429 ★ GARBERVILLE, CA 95440-0429 ★ U.S.A.

FORWARDING AND RETURN
POSTAGE GUARANTEED
ADDRESS CORRECTION REQUESTED

Bulk Rate
U.S. Postage
PAID
Garberville CA
Permit #15

1st INTERNATIONAL BORDERLAND SCIENCES CONGRESS *Toward a Science of the Etheric.*

June 14-17, 1990 at the Miramar Resort Hotel in Santa Barbara, California.

- Trevor James Constable, author of *The Cosmic Pulse of Life*, KEYNOTE SPEAKER
- Dennis Klocek, author of *Weather - Soul Life Of The Earth & The BioDynamic Book of Moons*, ASTRO-METEOROLOGY
- Dr. Karl Maret, AN INTRODUCTION TO SPIRITUAL SCIENTIFIC MEDICINE
- Leslie & Terry Patten, BIOCIRCUITS - AMAZING NEW TOOLS FOR ENERGY HEALTH
- Walter & Rhetta Baumgartner, VORTEXIAN MECHANICS & IMPLOSION, with demonstrations of the Vortexya Water Conditioner and the Wasserfadden (water thread) Experiment
- Donald Hosier, NEW INSIGHTS INTO HOMEOPATHY, THE ETHERIC AND THE SUB-MOLECULAR RELATIONSHIPS
- Fred Mathews, THE RELATIONSHIP BETWEEN ASTRONOMY AND THE NATURAL SCIENCES
- Christopher Hills, author of *Nuclear Evolution and Supersensomics*, MATTER, FORM AND ENERGY
- Maria Kinzell Hardy, COLOR CAN CHANGE YOUR LIFE
- Donald R. Beans, RADIONICS: MORPHIC RESONANCE AND SPECTRO-VIBRATORY IMAGING
- Buryl Payne, author of *The Body Magnetic*, DEMONSTRATION OF AN INSTRUMENT THAT DETECTS A NEW BIOPHYSICAL FORCE
- Jorge Resines, RESEARCHES INTO MATTER AND THE ETHERIC
- Bruce DePalma, EXPERIMENTS ON ROTATION LEADING TO DEVELOPMENT OF THE N-MACHINE
- Paramahansa Tewari, PHYSICS & TECHNOLOGY OF THE PHENOMENON OF SPACE POWER GENERATION
- Jim Murray, NEW ENERGY DISCOVERIES, report on new patented device based on Tesla's rotating magnetic field theories
- Michael Urban, THE AIDS/SYPHILIS CONNECTION with latest updates
- Michael Theroux, ELECTRICITY AND THE ETHERIC with demonstration of an air-wound Tesla Transformer powered with an electrostatic plate generator
- Doug Benjamin, THE SACRED SCIENCE OF ANCIENT EGYPT: THE KEY TO MODERN ENERGY MEDICINE
- Alison Davidson, THE WORKING OF THE STARS IN EARTHLY SUBSTANCES
- Peter Lindemann, MASTERING THE ART OF SELF-HEALING
- Tom Brown, THE REALITY OF THE ETHERIC FORCES

The cost of the convention to BSRF members will be \$175. A \$50 deposit will be taken to reserve your place. Early sign-up fee is \$150 when paid in full by February 28, 1990. A \$25 surcharge will be added for non-members who want to attend but do not wish to join. Send fees to BSRF, PO Box 429, Garberville CA 95440. Call (707) 986-7211 for more info.

Basic rooms at the Miramar are \$75.60 per night (including tax) single or double occupancy. They also have more luxurious rooms with ocean views. It is a 14 acre resort hotel on the Pacific Ocean with very good convention facilities. The reservation number for rooms is 800-322-6983

A list of lower cost hotels as well as a campground and RV park are also being put together and will be supplied to those who sign up, as well as a United Airlines discount number. We recommend an early signup and reservations.

Fordisplay booth information contact Peter Lindemann, 3463 State #264, Santa Barbara, 93105, (805) 966-5058.

DON'T MISS THIS IMPORTANT EVENT!